
SCHEMATICS

PAIK ABE V.S.

- DRAWN BY SHUYA ABE

SAID

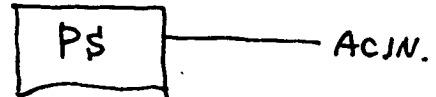
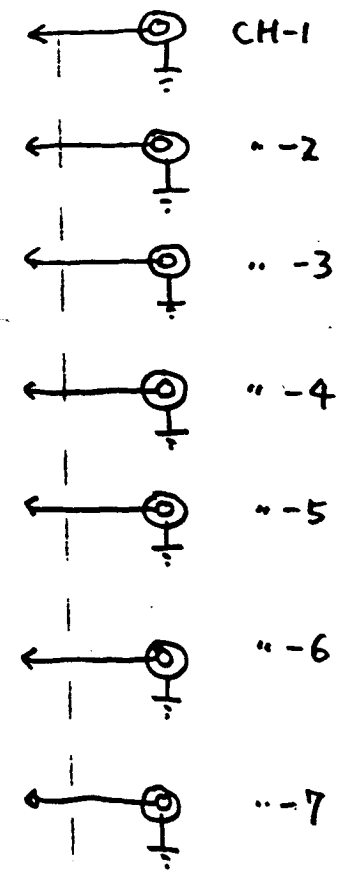
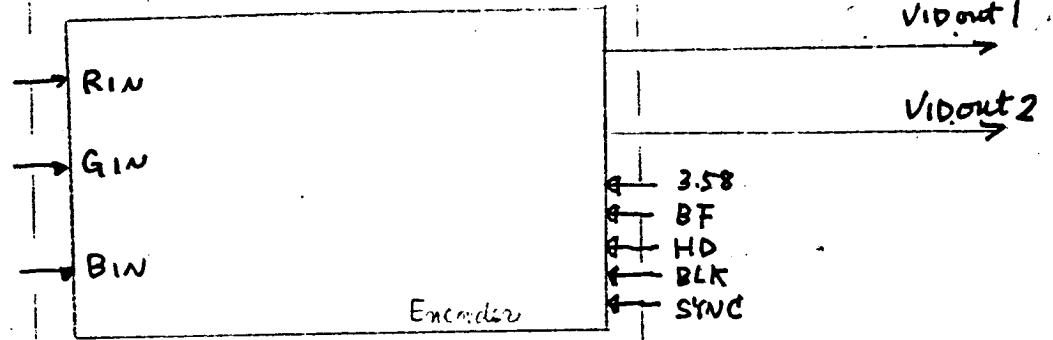
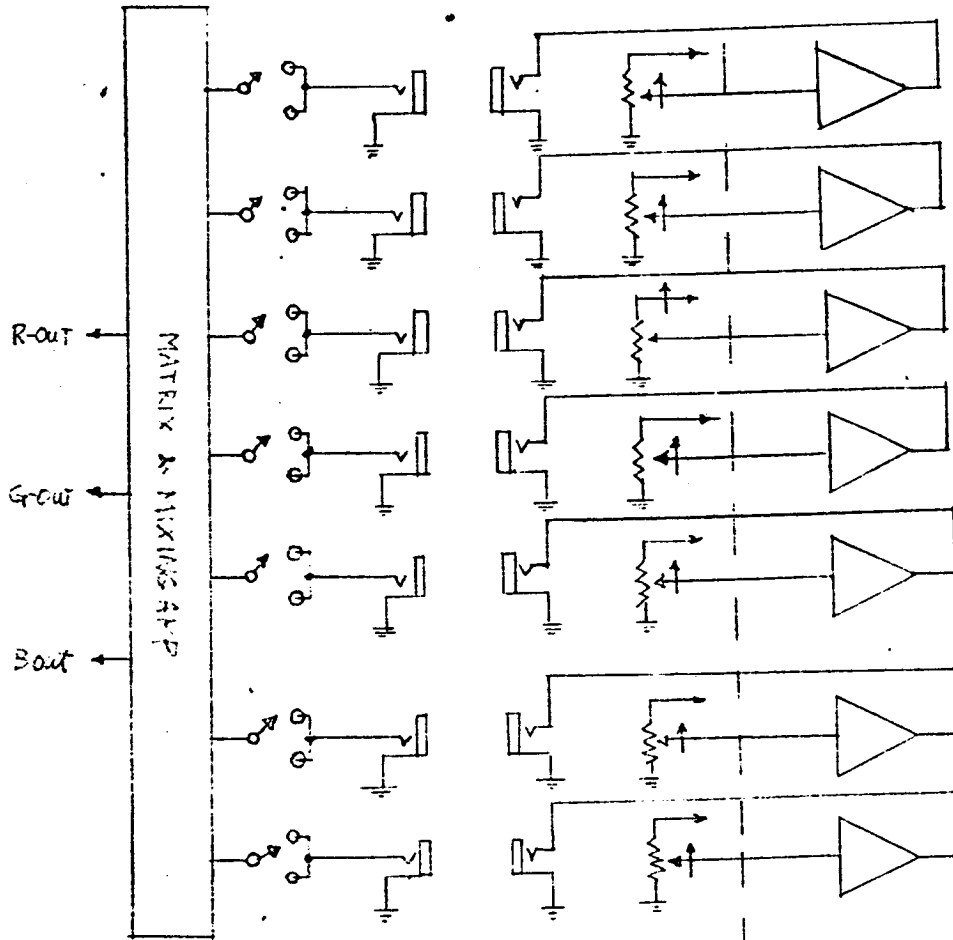
- NONE

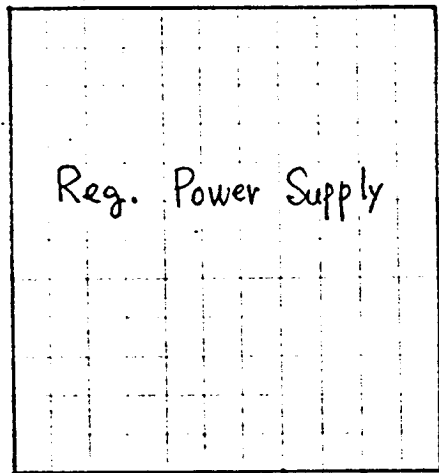
CVI

DATA CAMERA

QUANTIZER

] CAN SEND IF YOU
WISH.



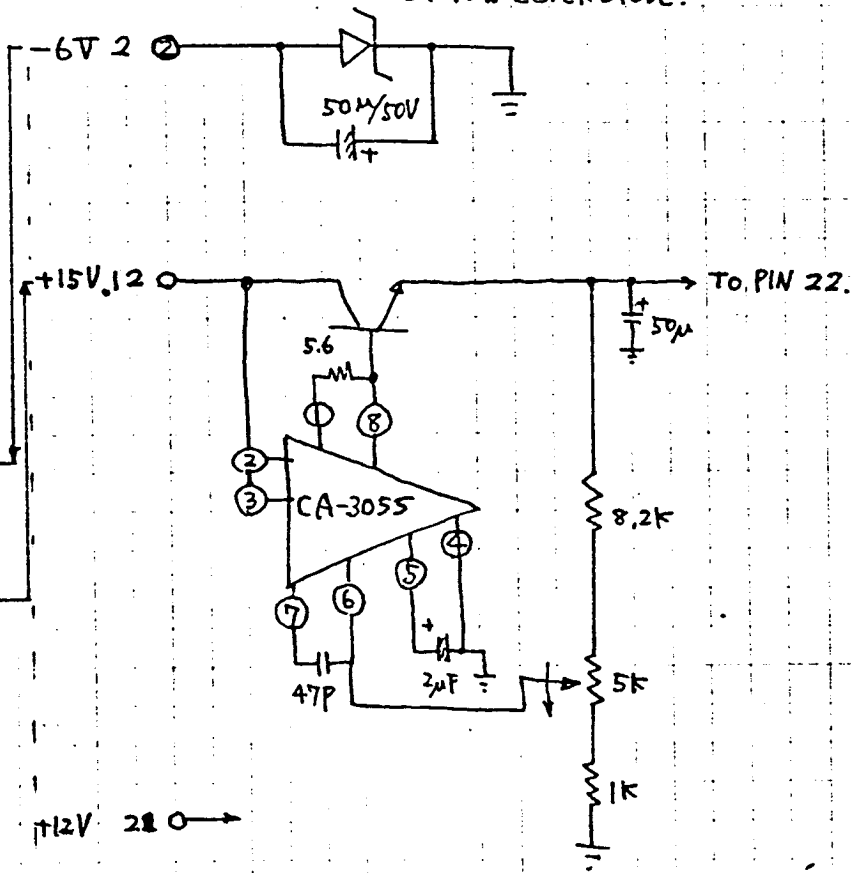


117V IN.

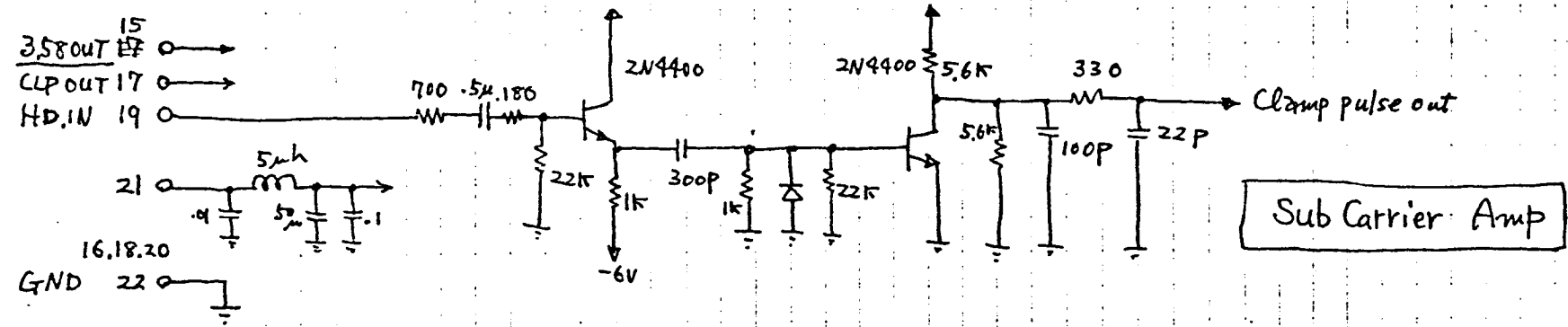
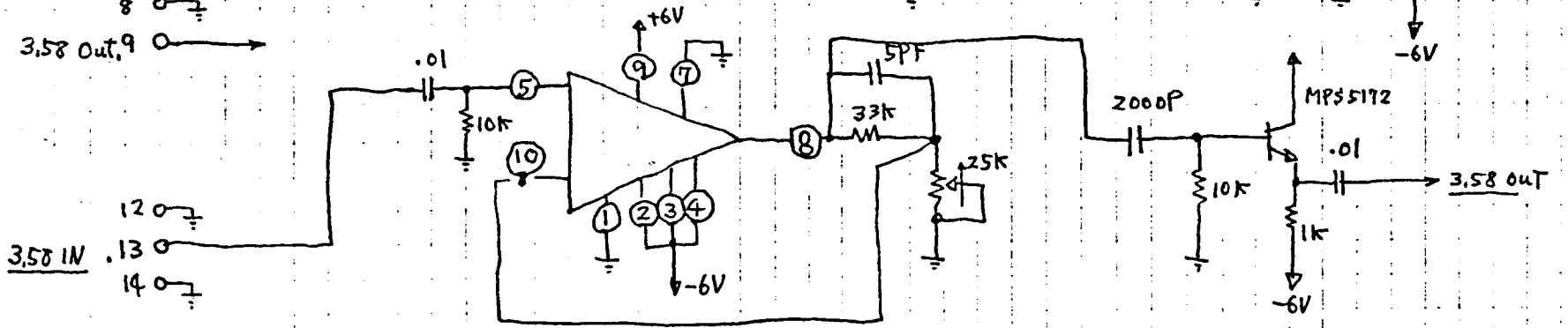
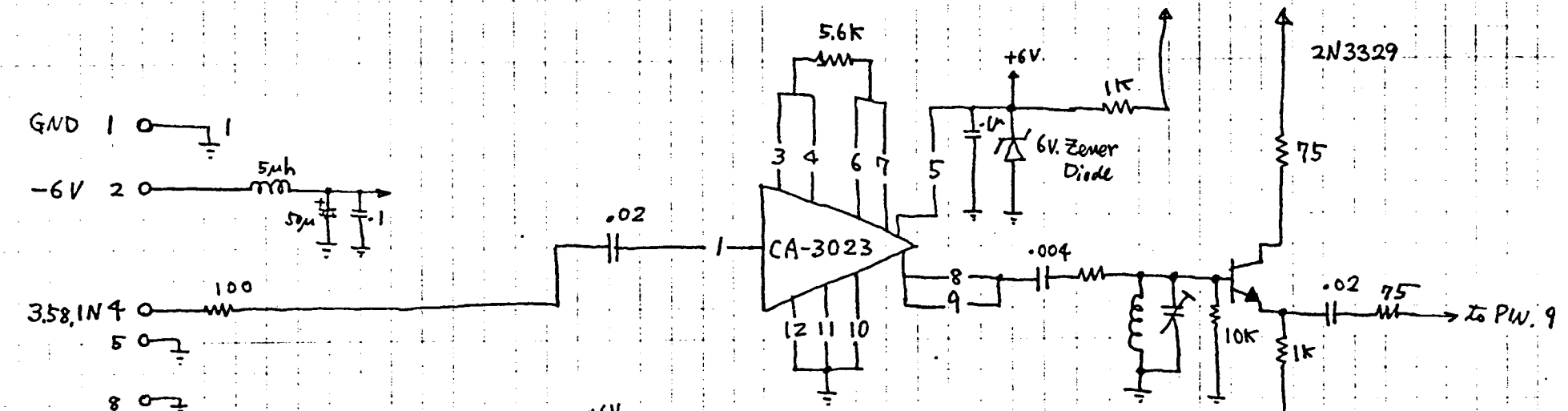
21V OUT

1 GND 1

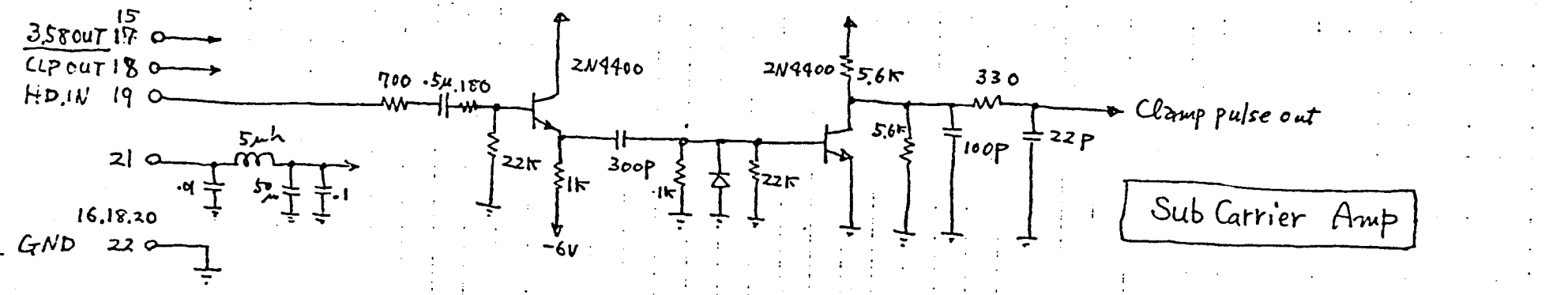
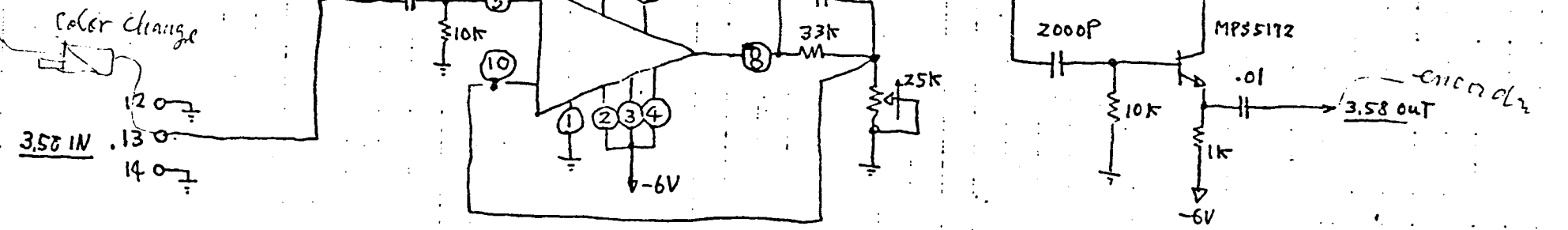
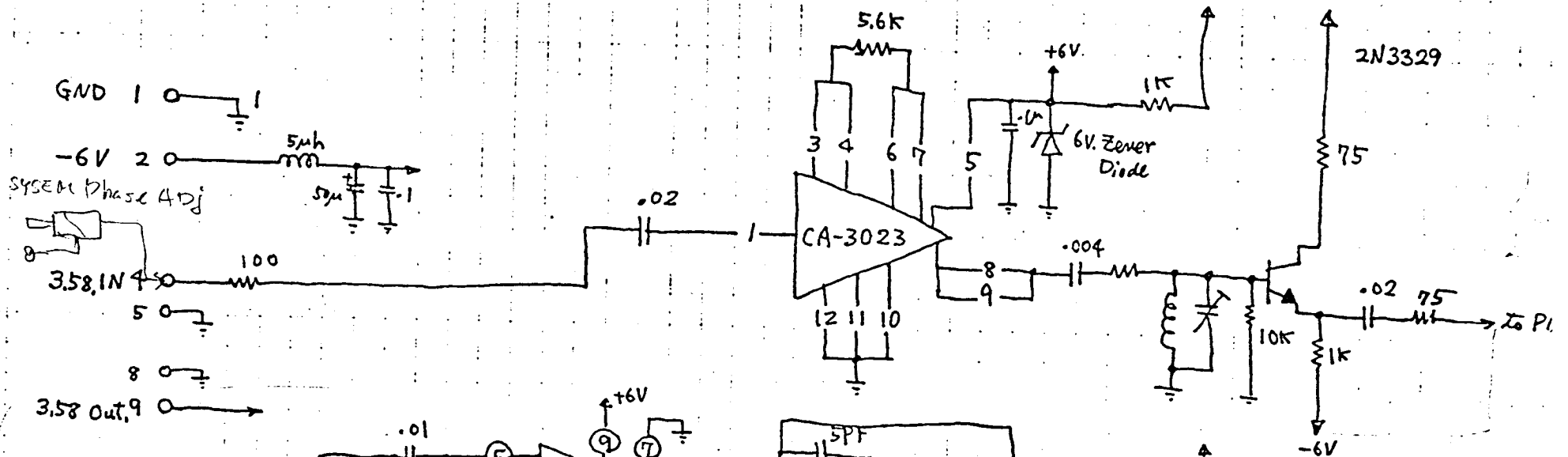
6V 10W ZENER DIODE.

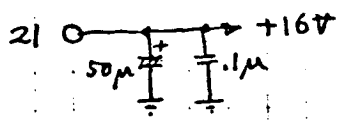
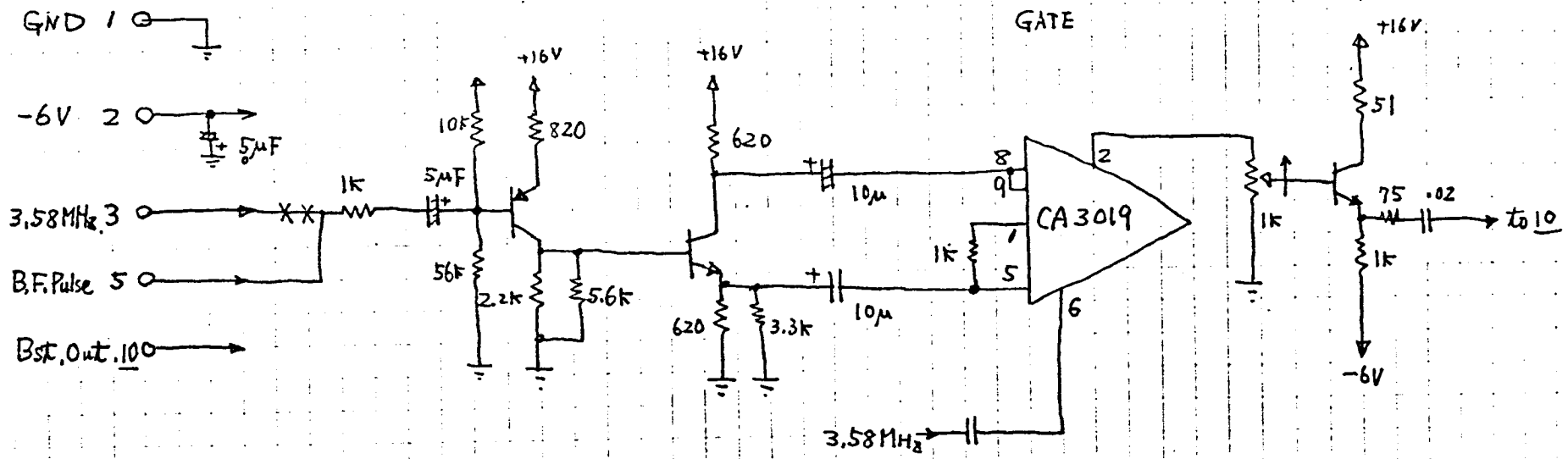


Power Supply

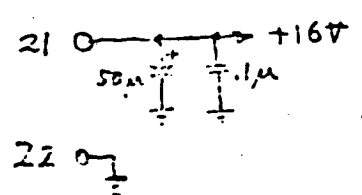
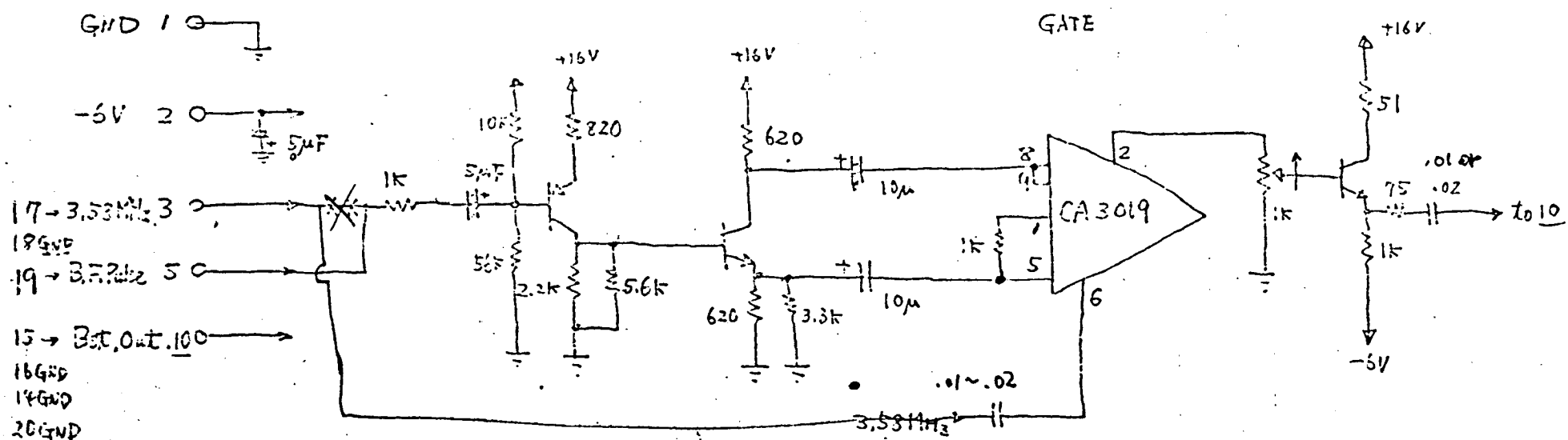


Sub Carrier Amp

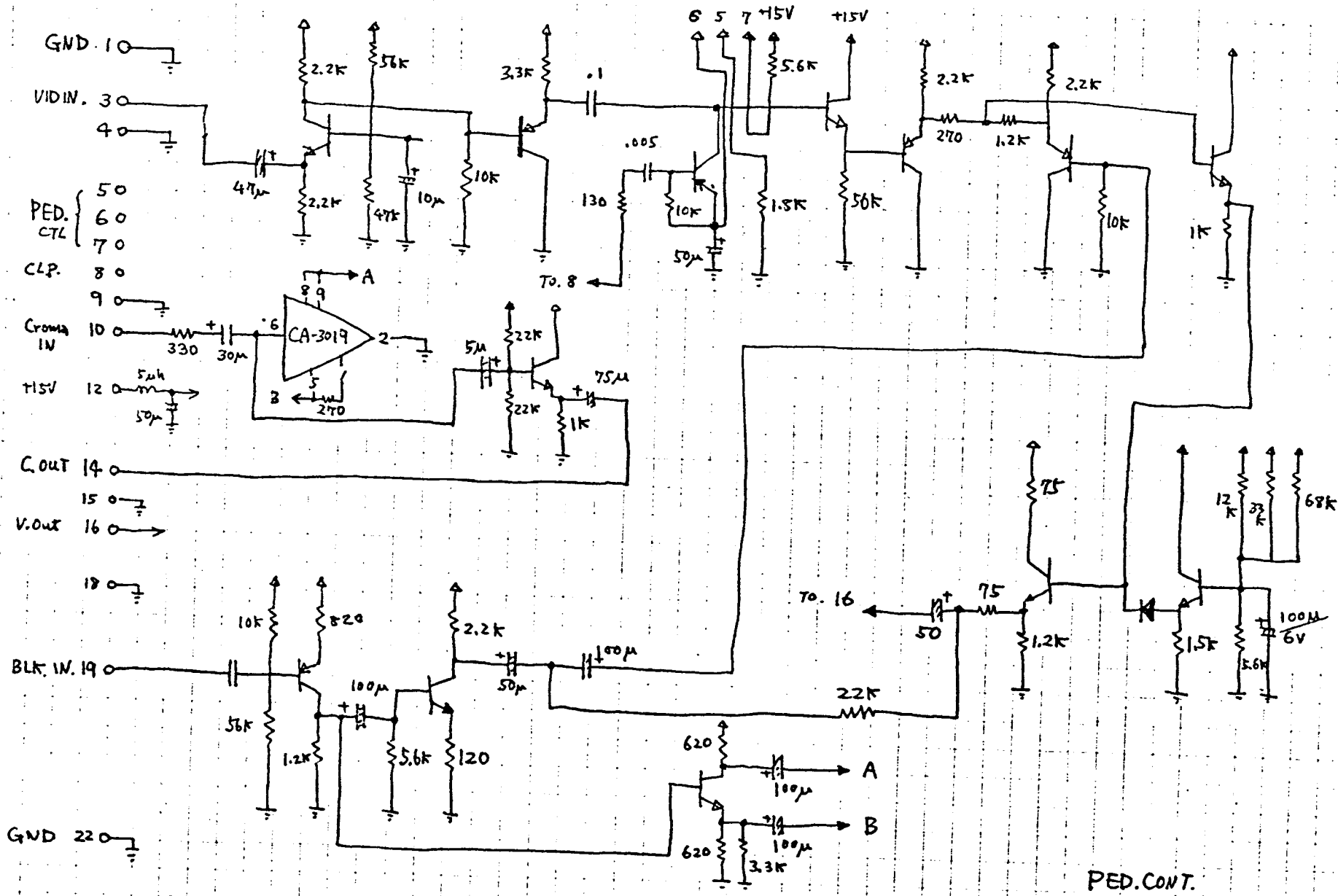


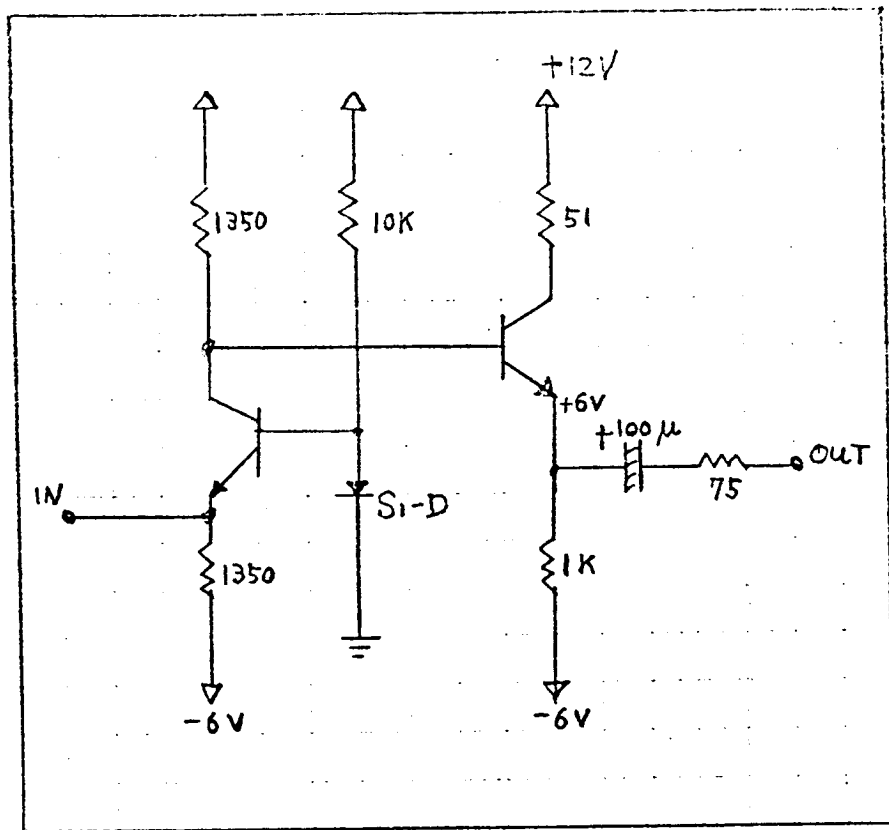
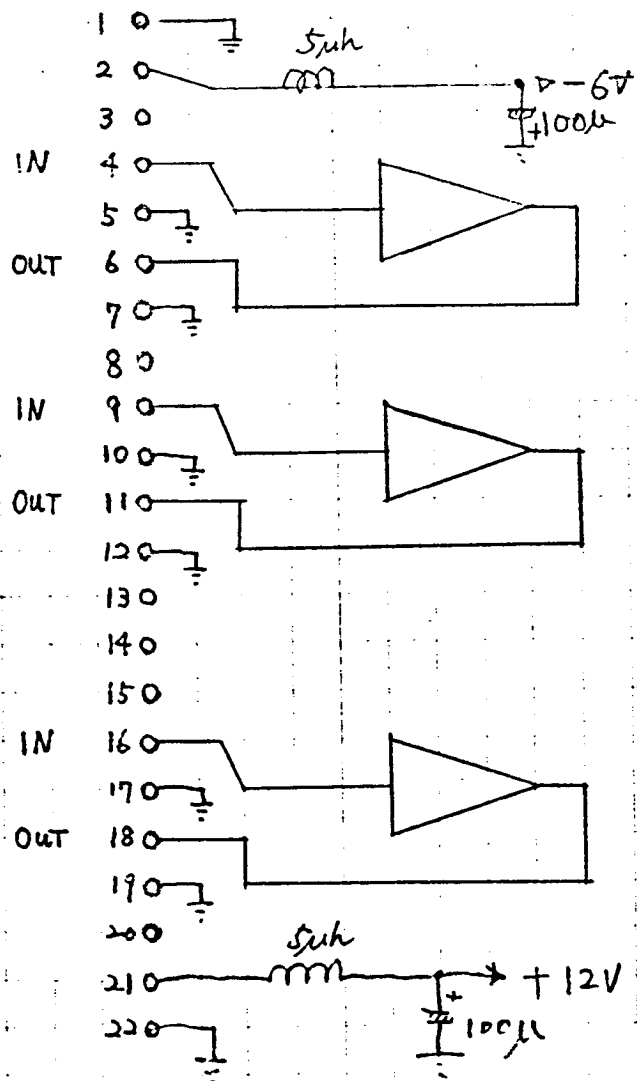


Burst Generator

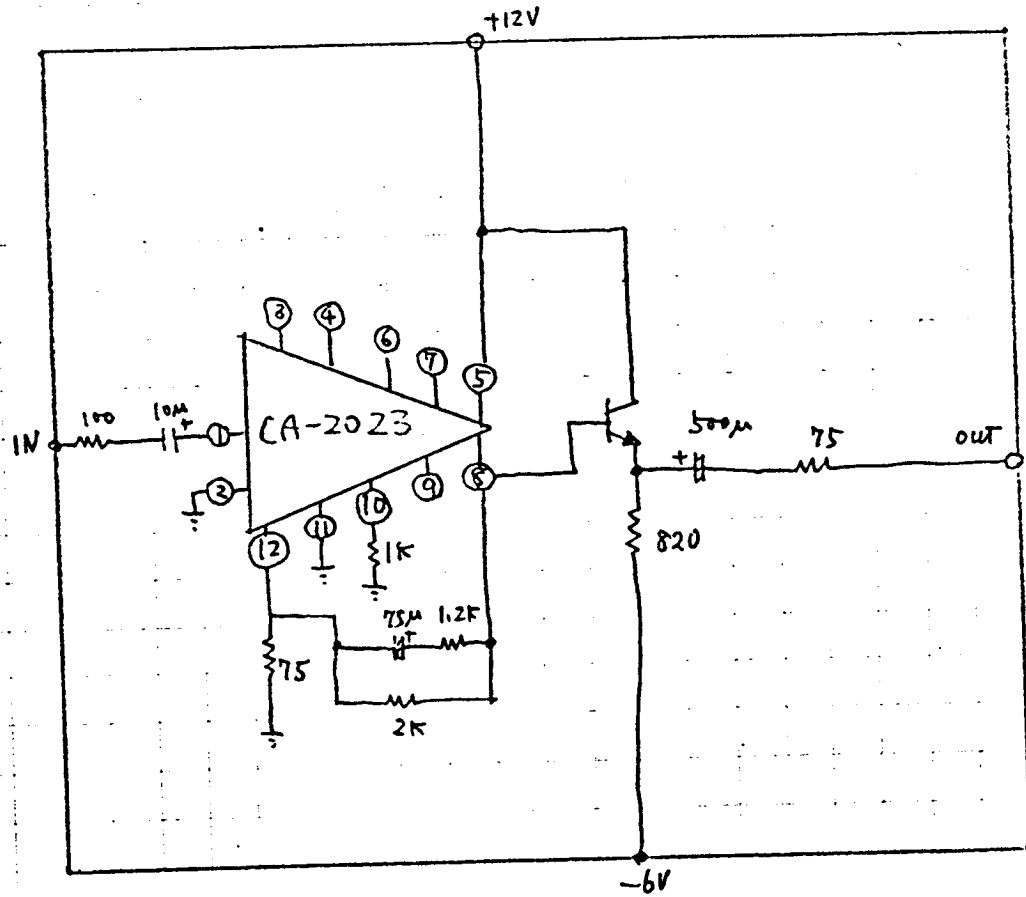
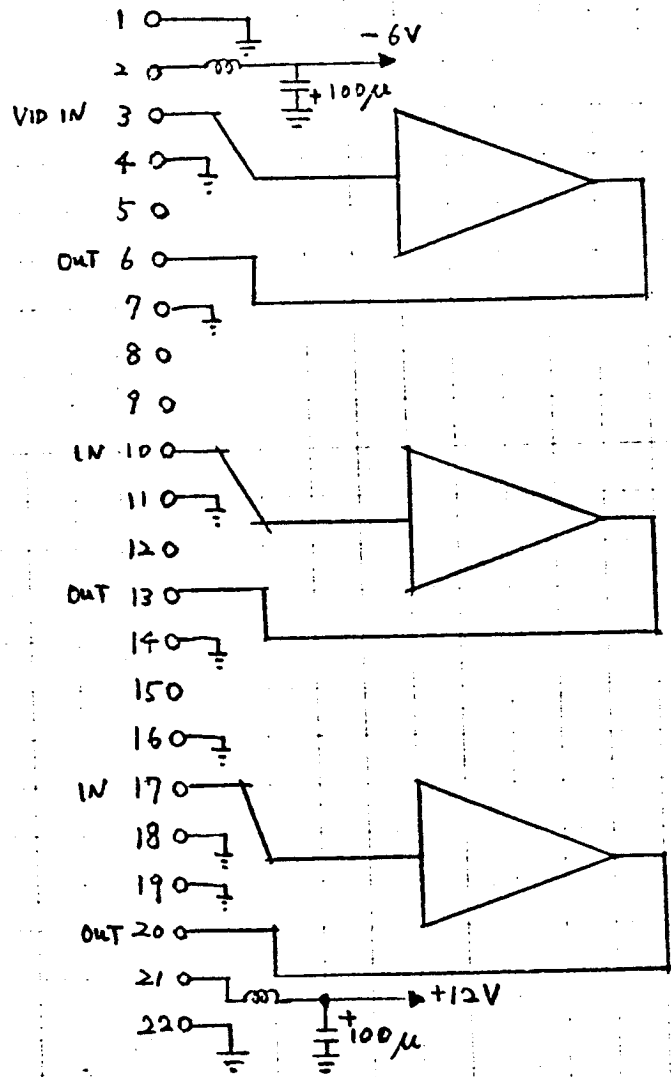


Burst Generator

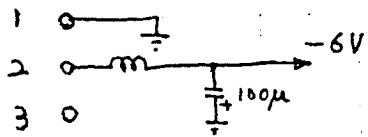




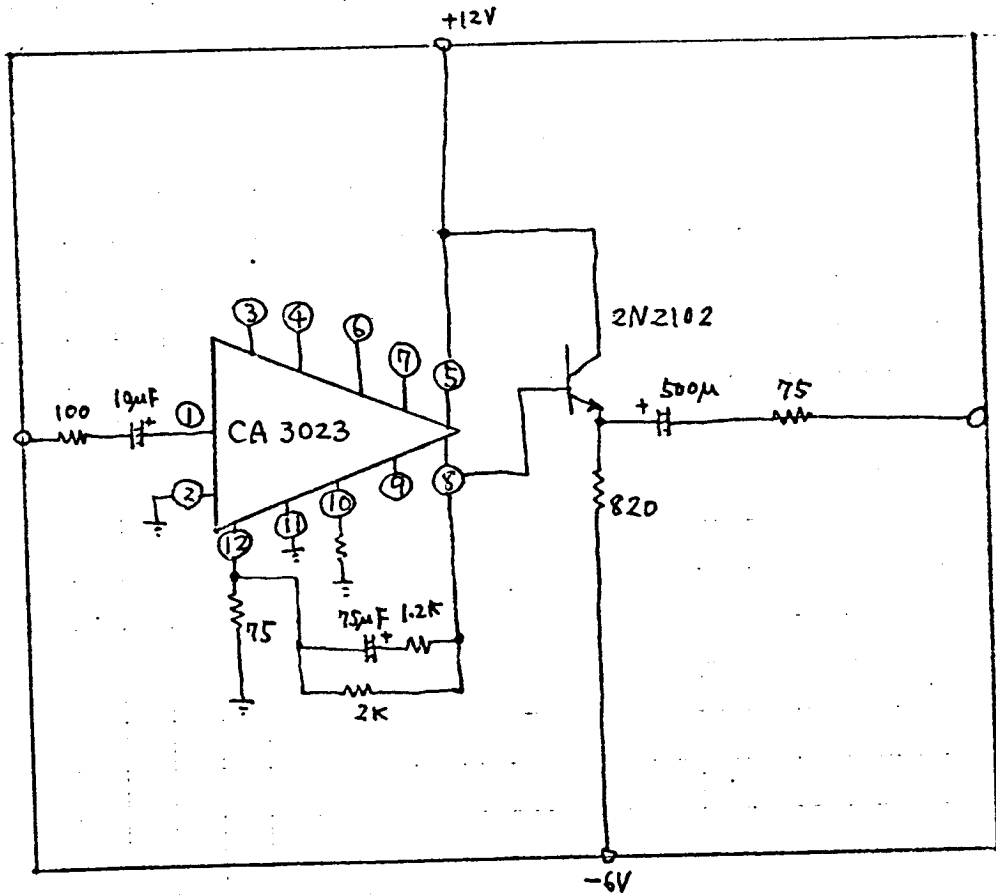
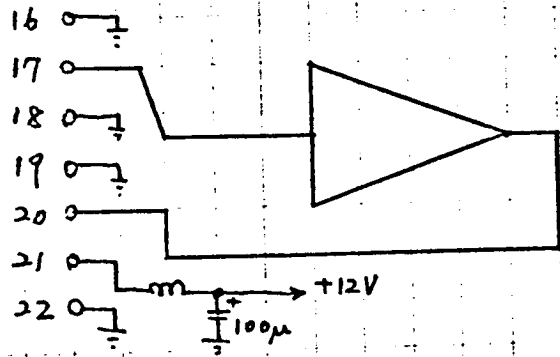
Mixing Amp



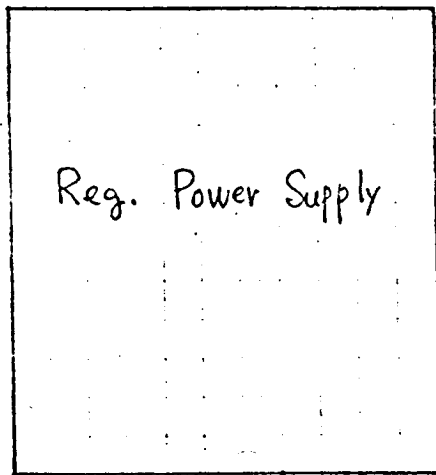
Amp.



- 6 0
- 7 0
- 8 0
- 9 0
- 10 0
- 11 0
- 12 0
- 13 0
- 14 0
- 15 0



Amp.



117V IN.

21V OUT

GND 1

6V 10W ZENER DIODE.

-6V 2

50M/50V

+15V 12

To PIN 22.

5.6

CA-3055

8.2K

47P

2μF

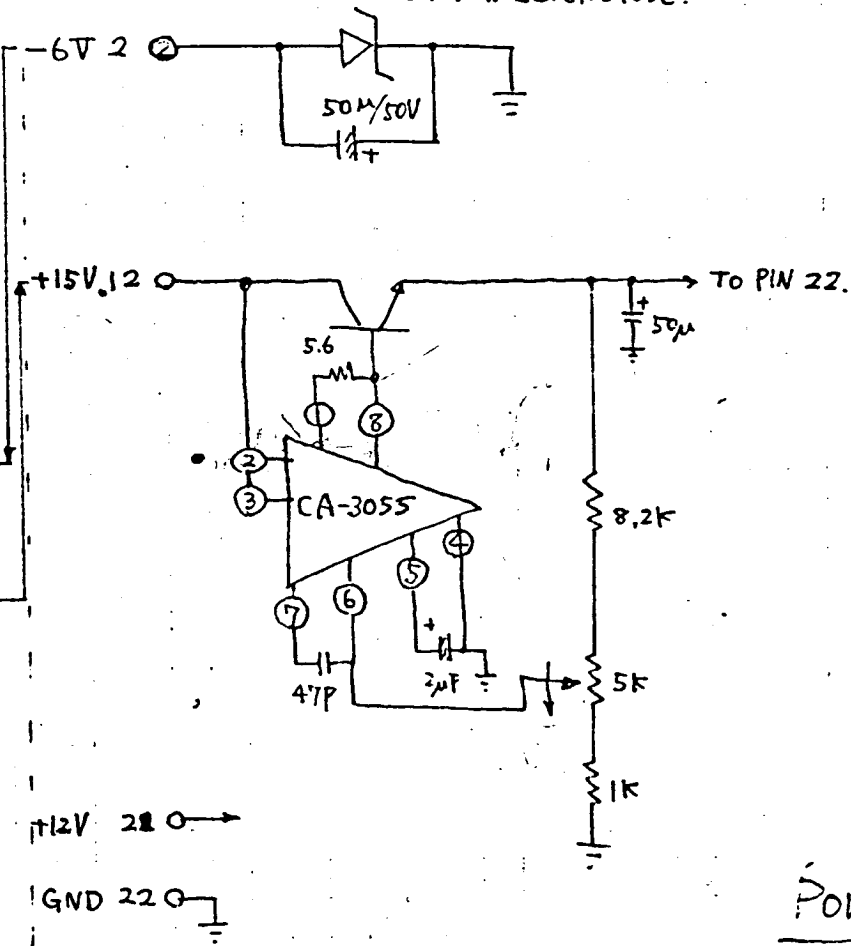
5K

1K

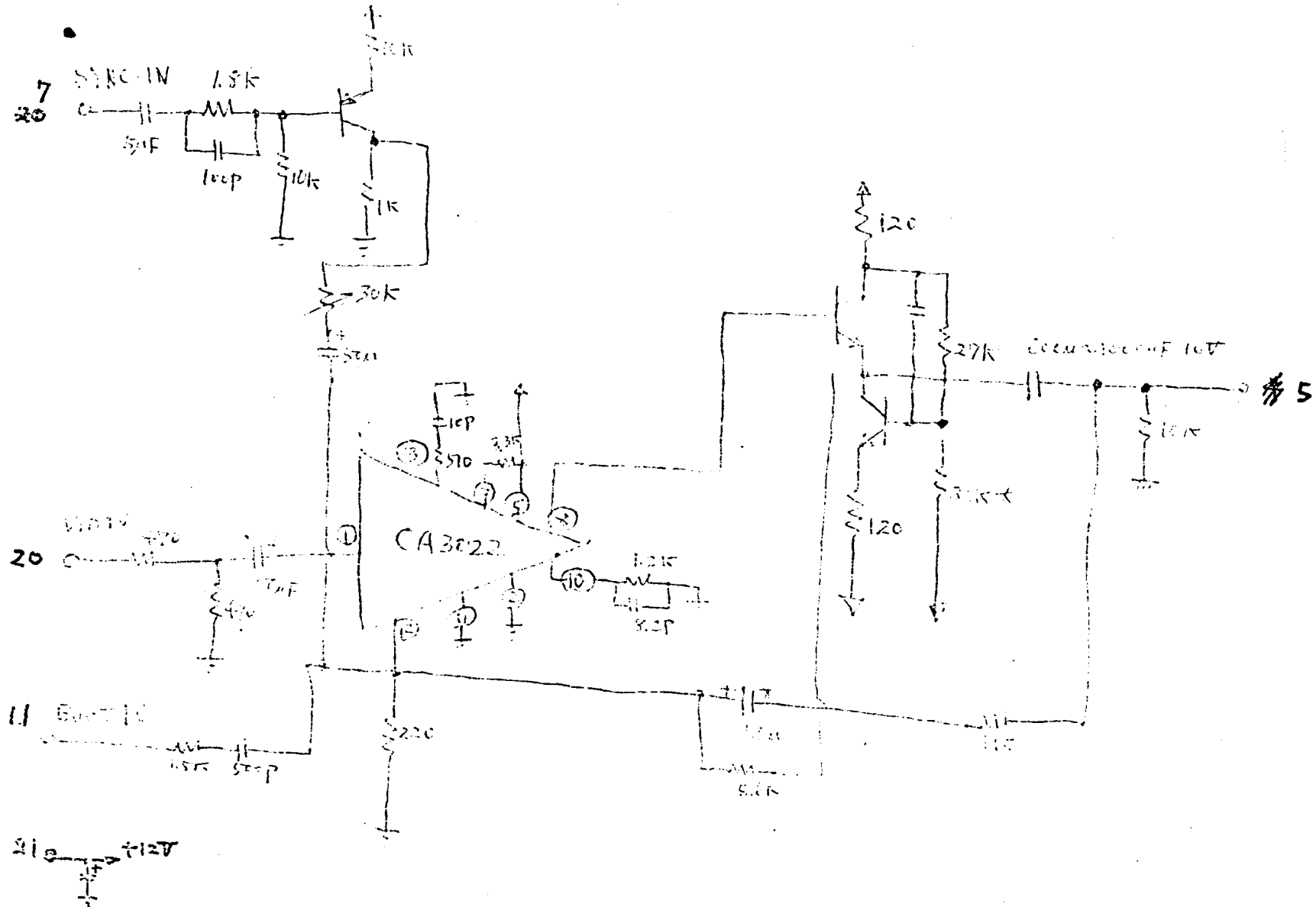
+12V 22

GND 22

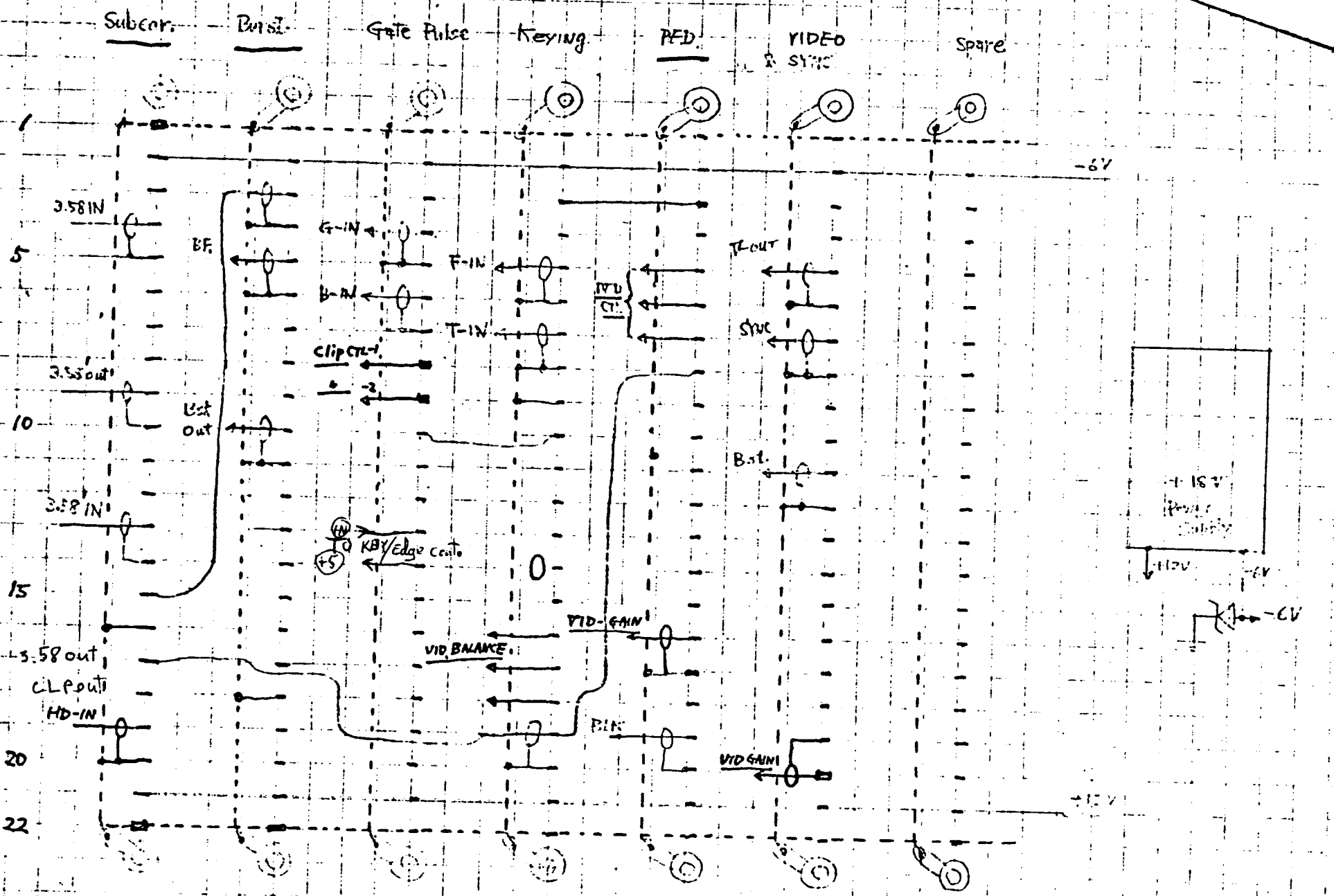
Power Supply

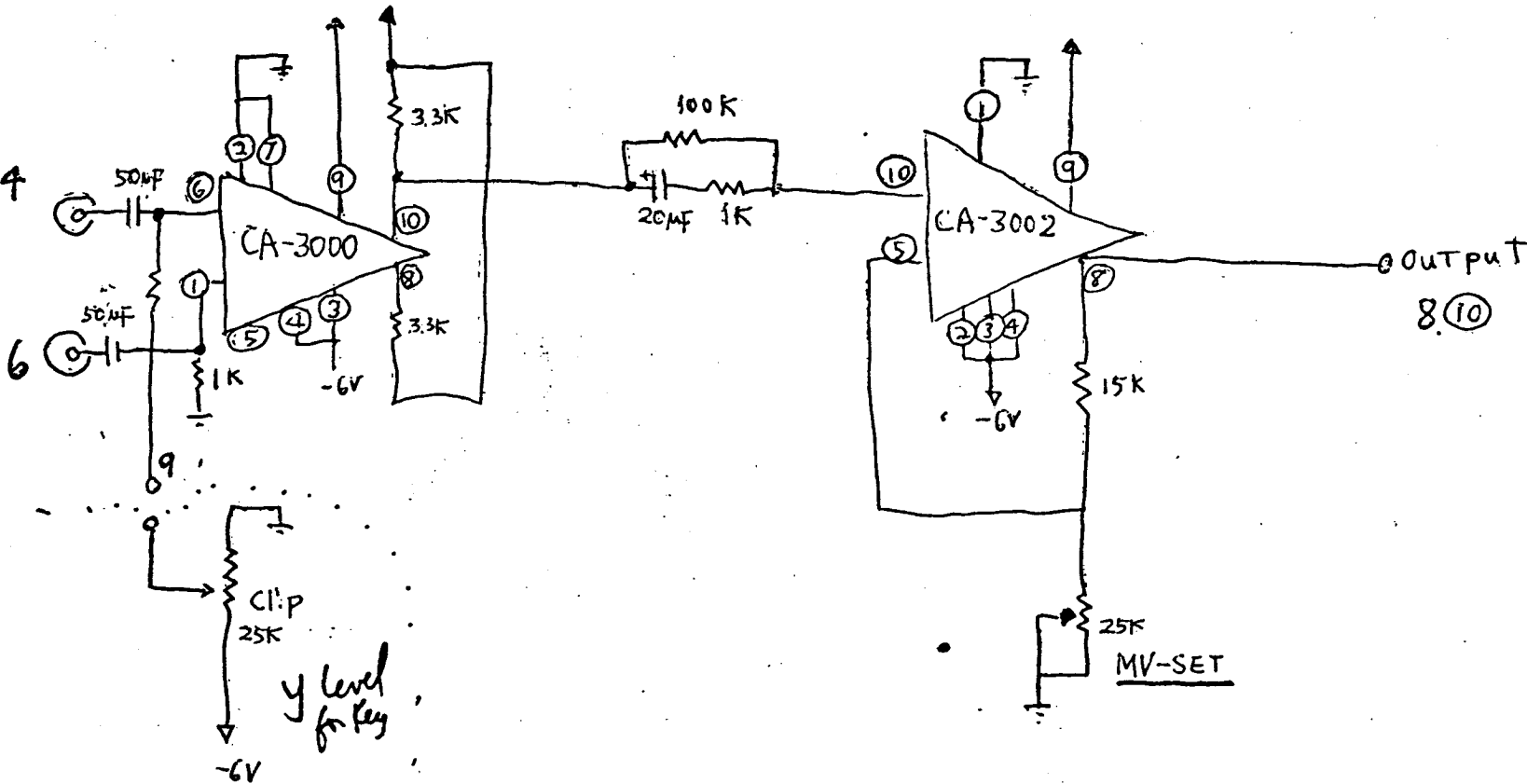


VIDEO Out AMP for CROMA KEY



220





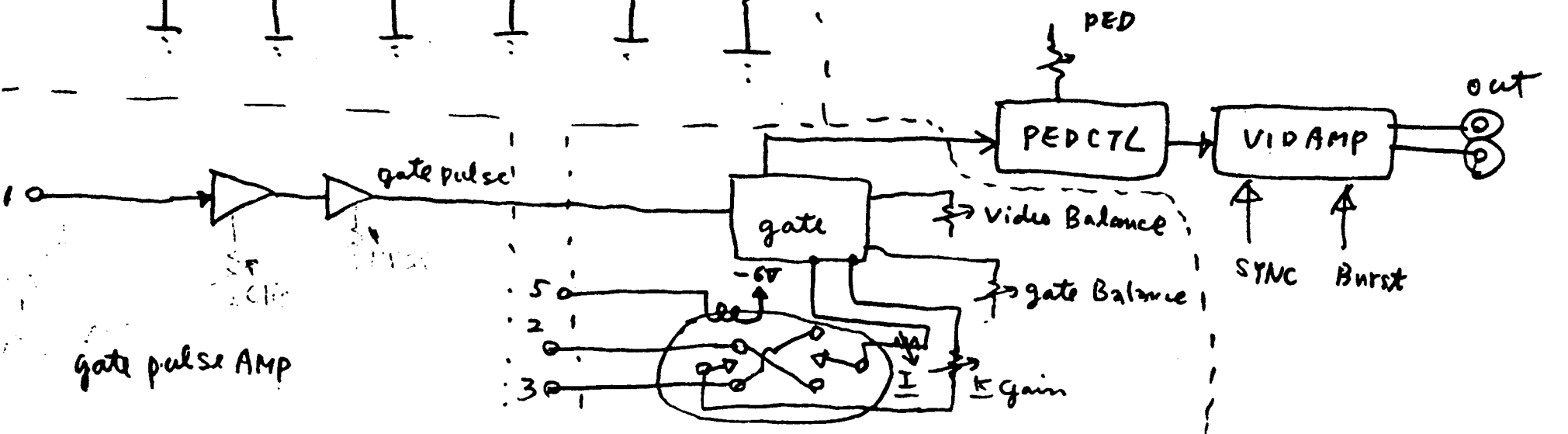
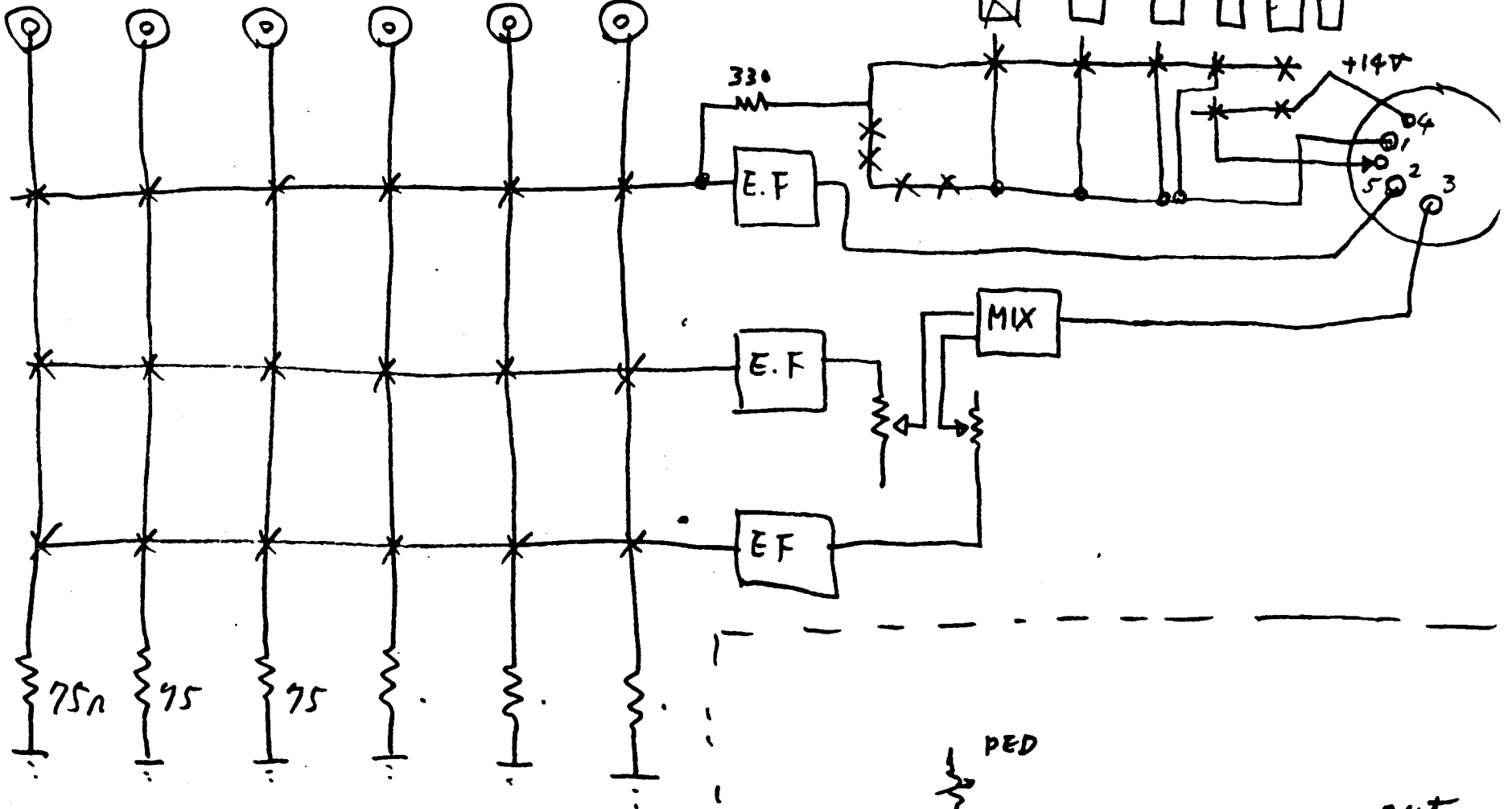
GATE Pulse Amp

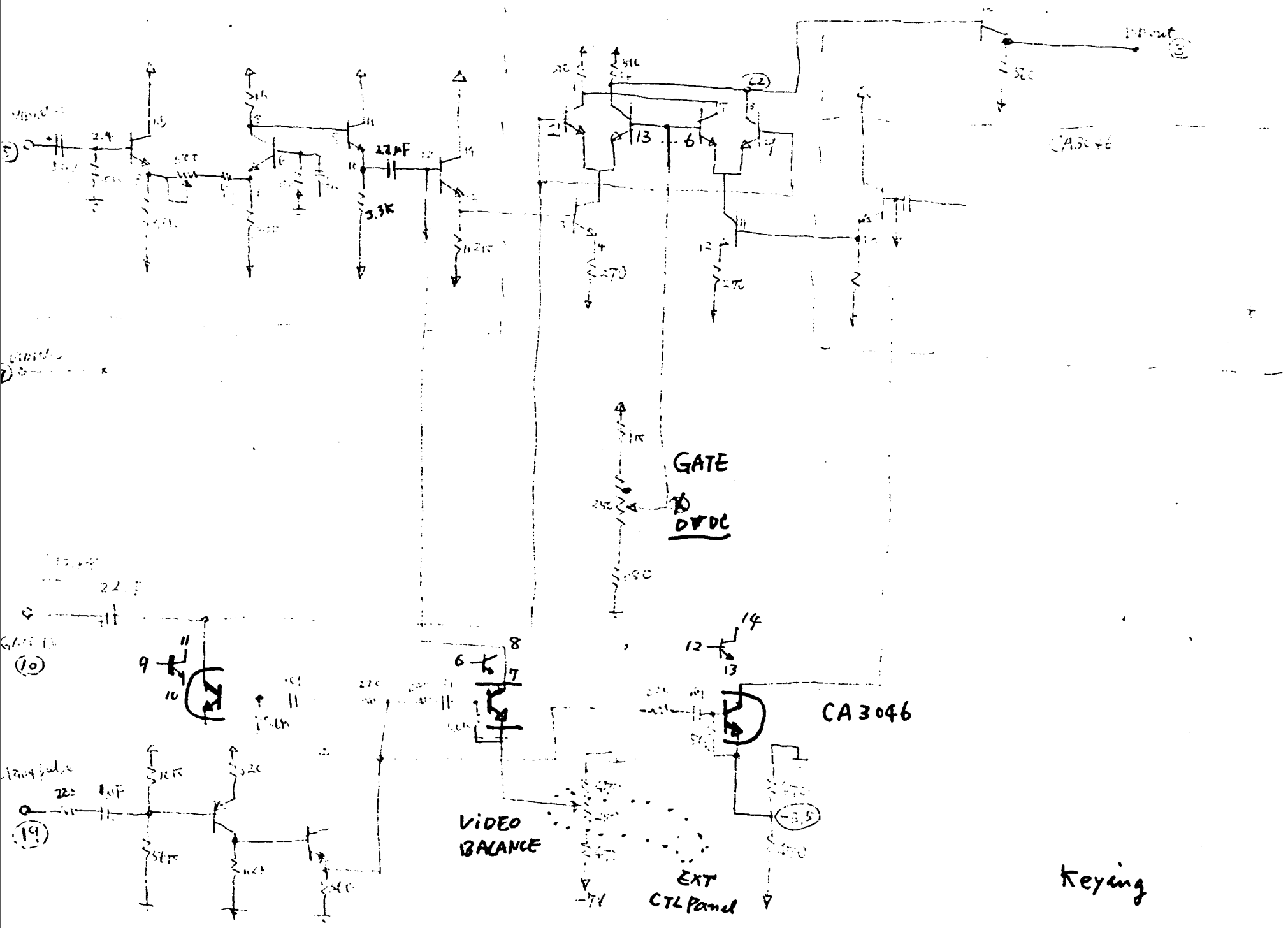
y level
for key

C7C PAPER

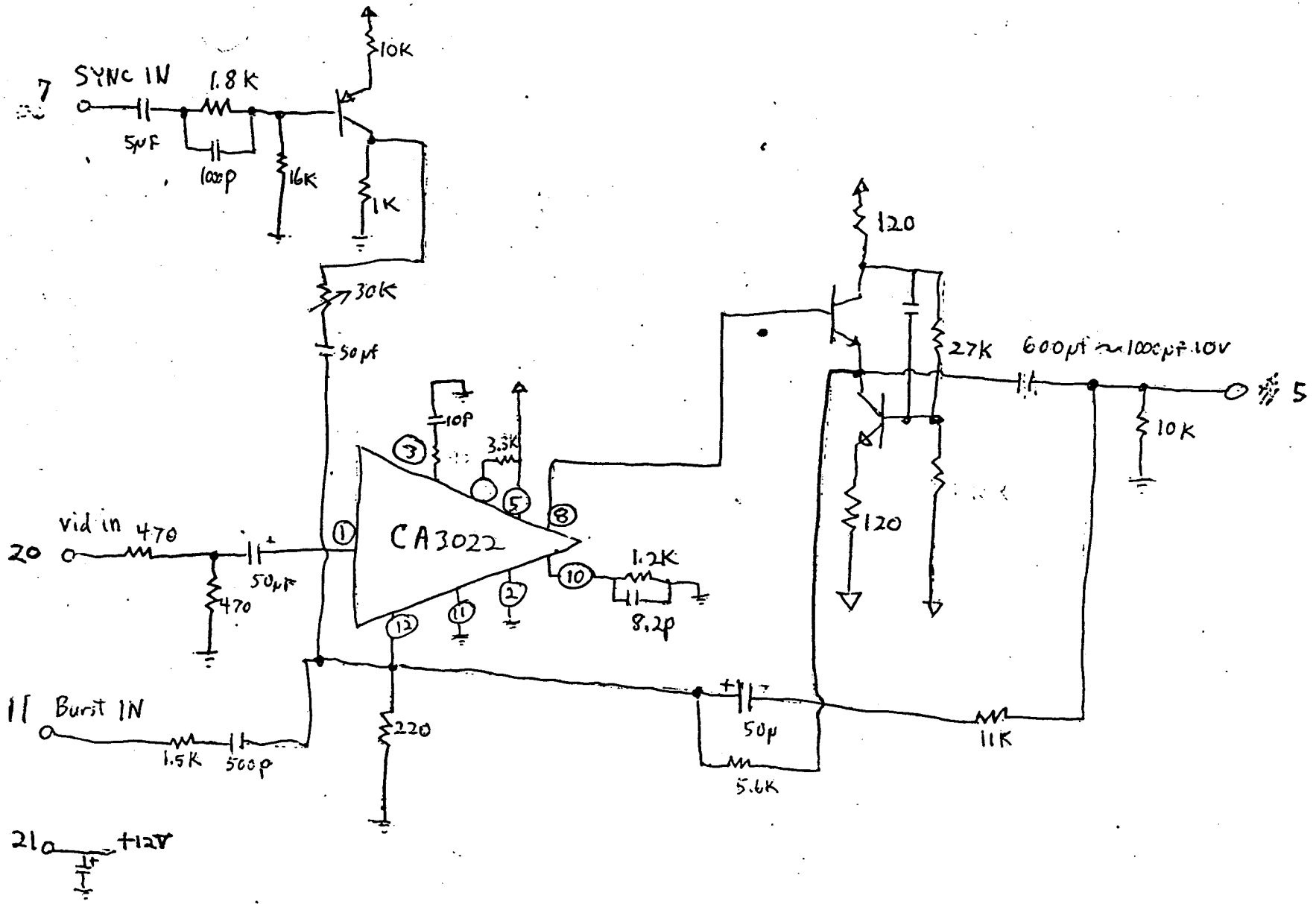
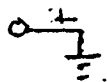
switch board

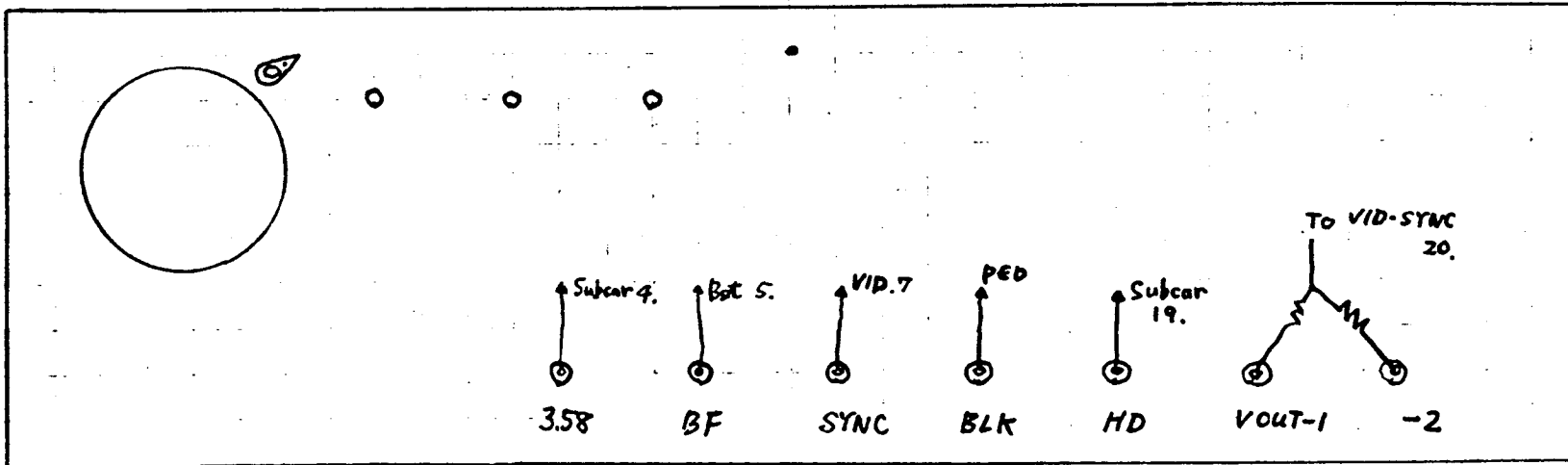
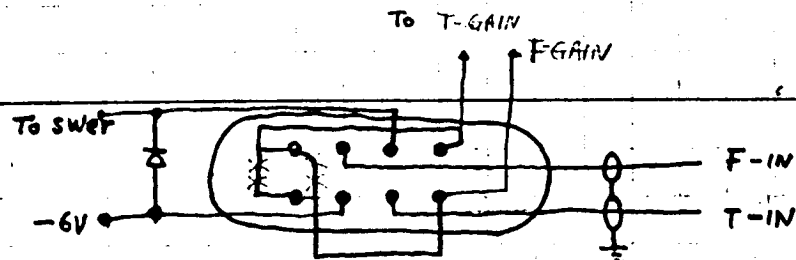
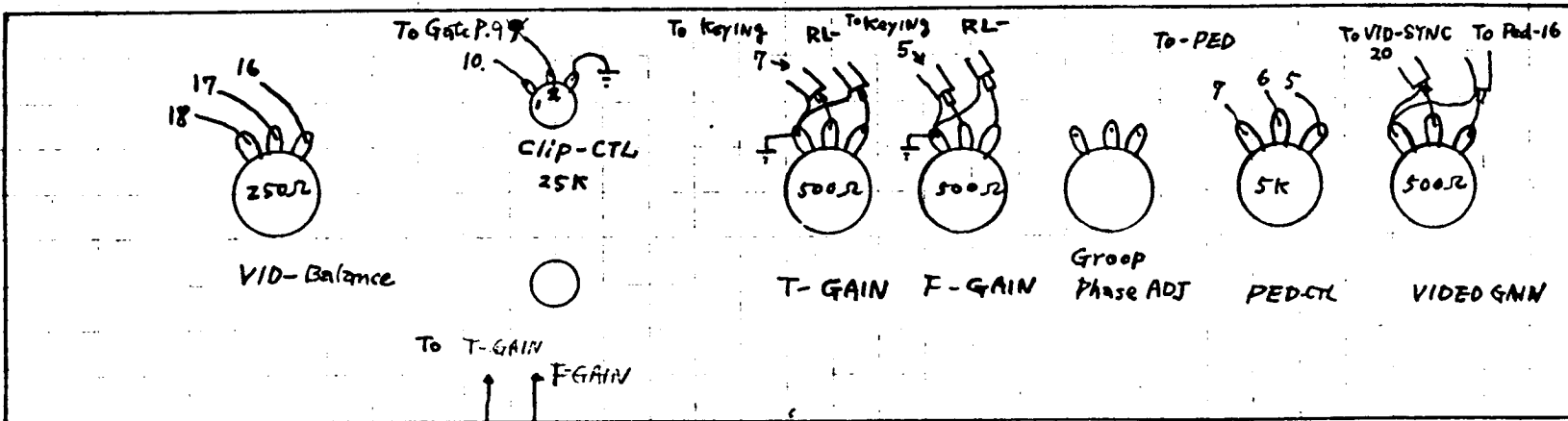
input

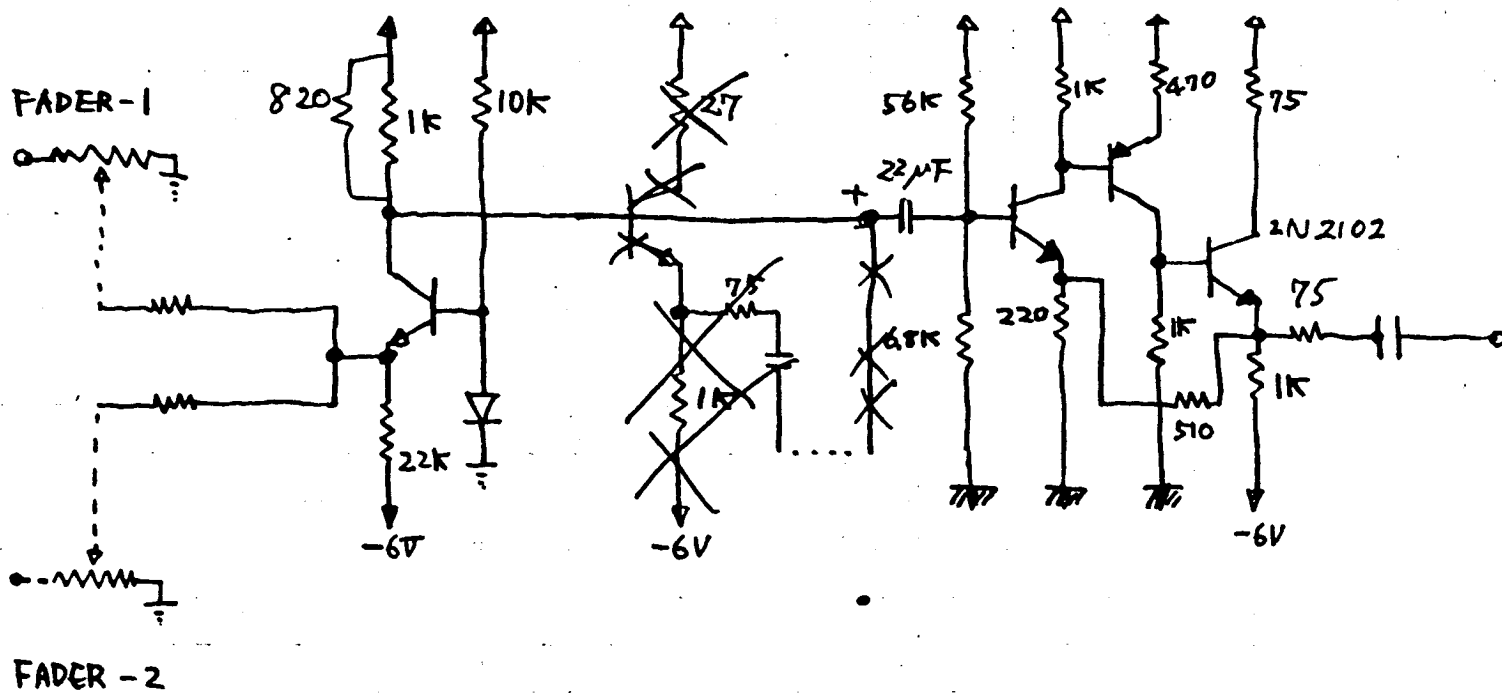




Keying



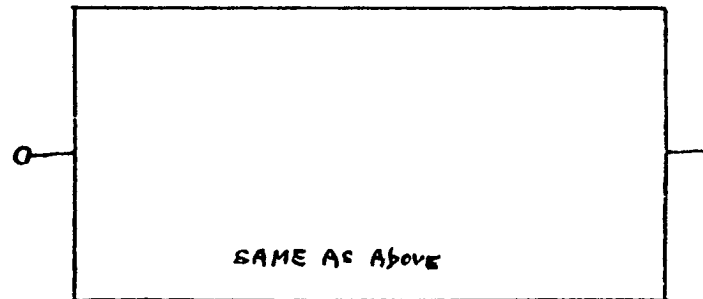
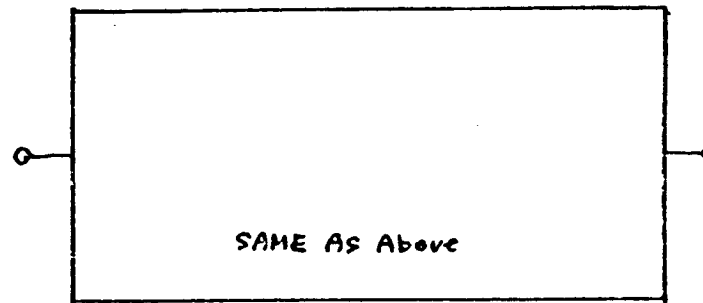
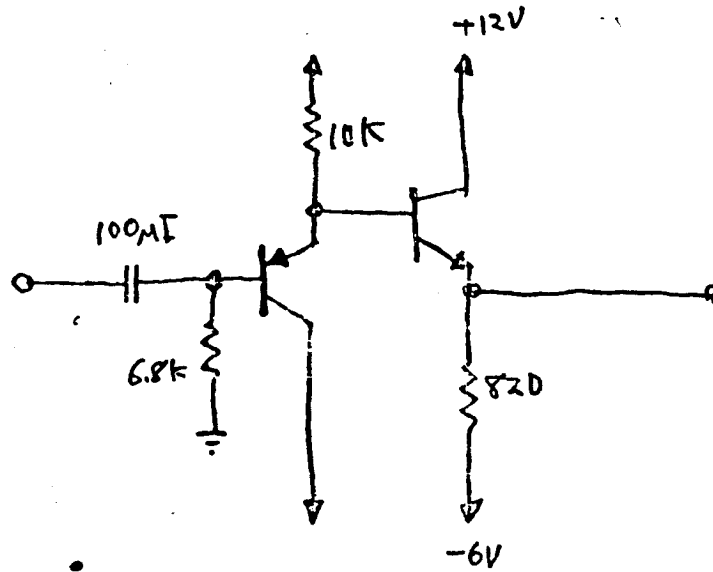




PNP ... 2N9402 or Equivalent

NPN ... 2N4400 .. "

MIXER-FADER OUTPUT
AMP



SWITCHER INPUT
EMITTER
Follower

+ 12V

- 6V

GND

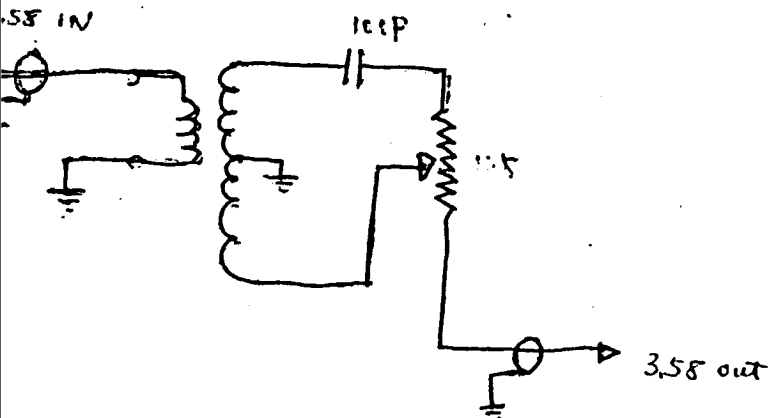
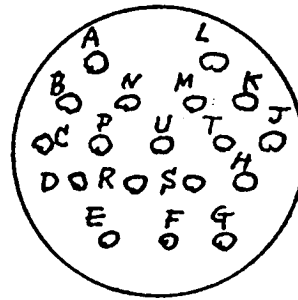
Rout

COAR SEL vid

F out

T out

GND

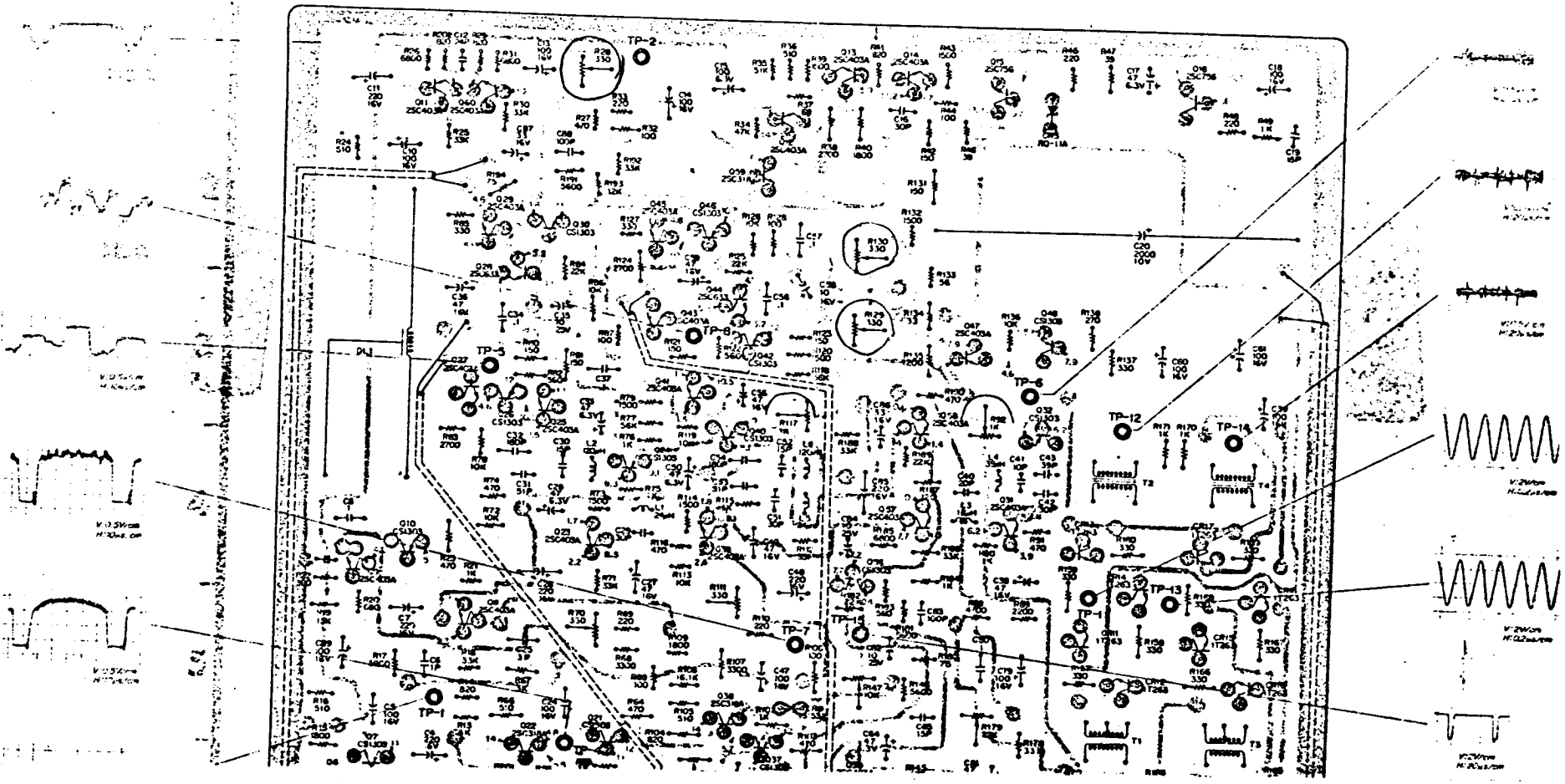


CONVERTOR Diagram

Phase (7L)

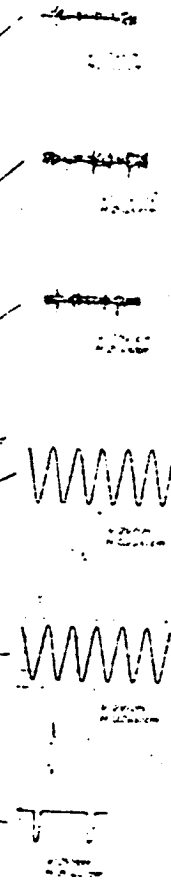
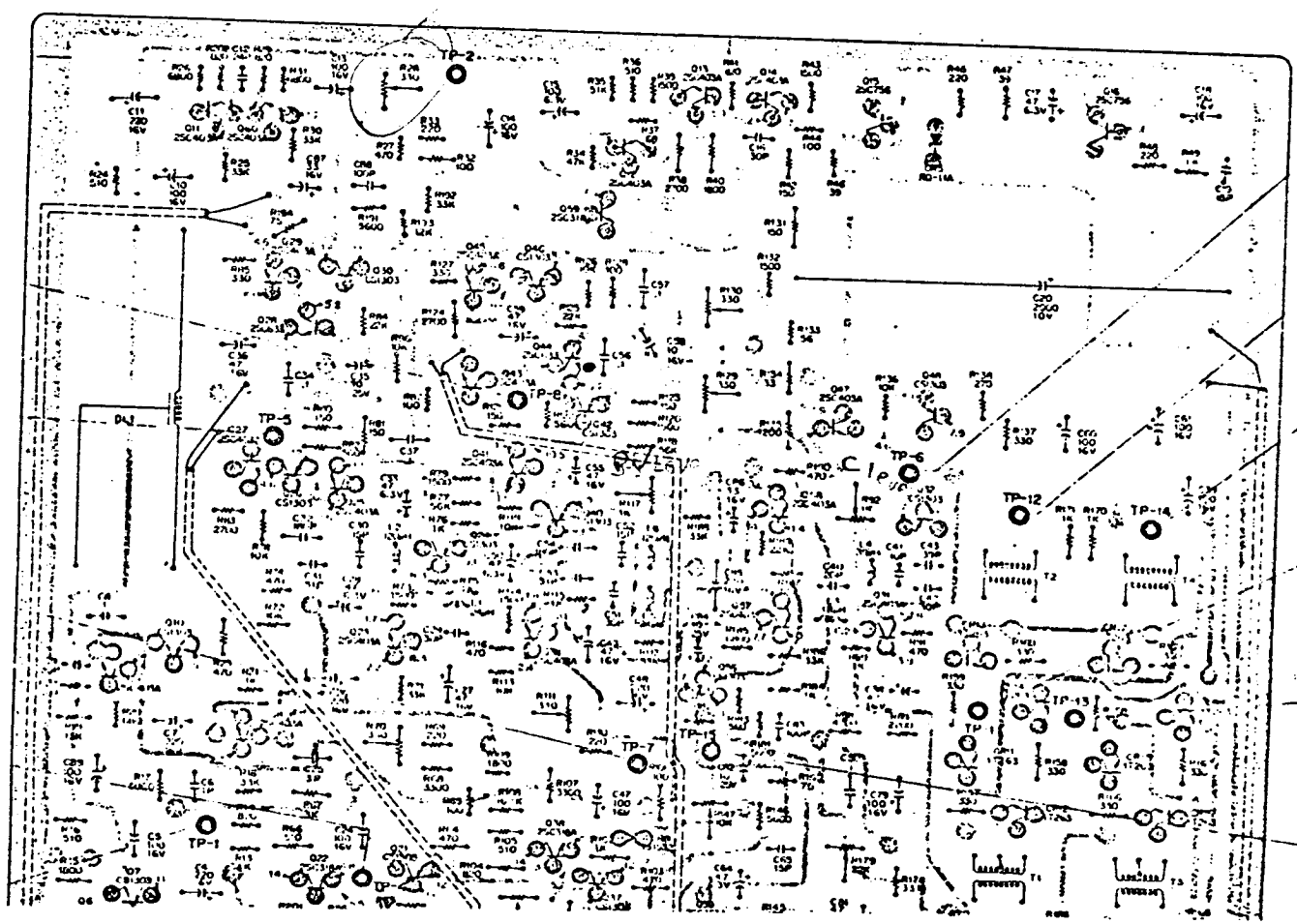
ENCODER

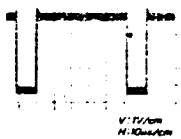
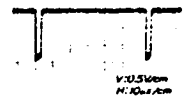
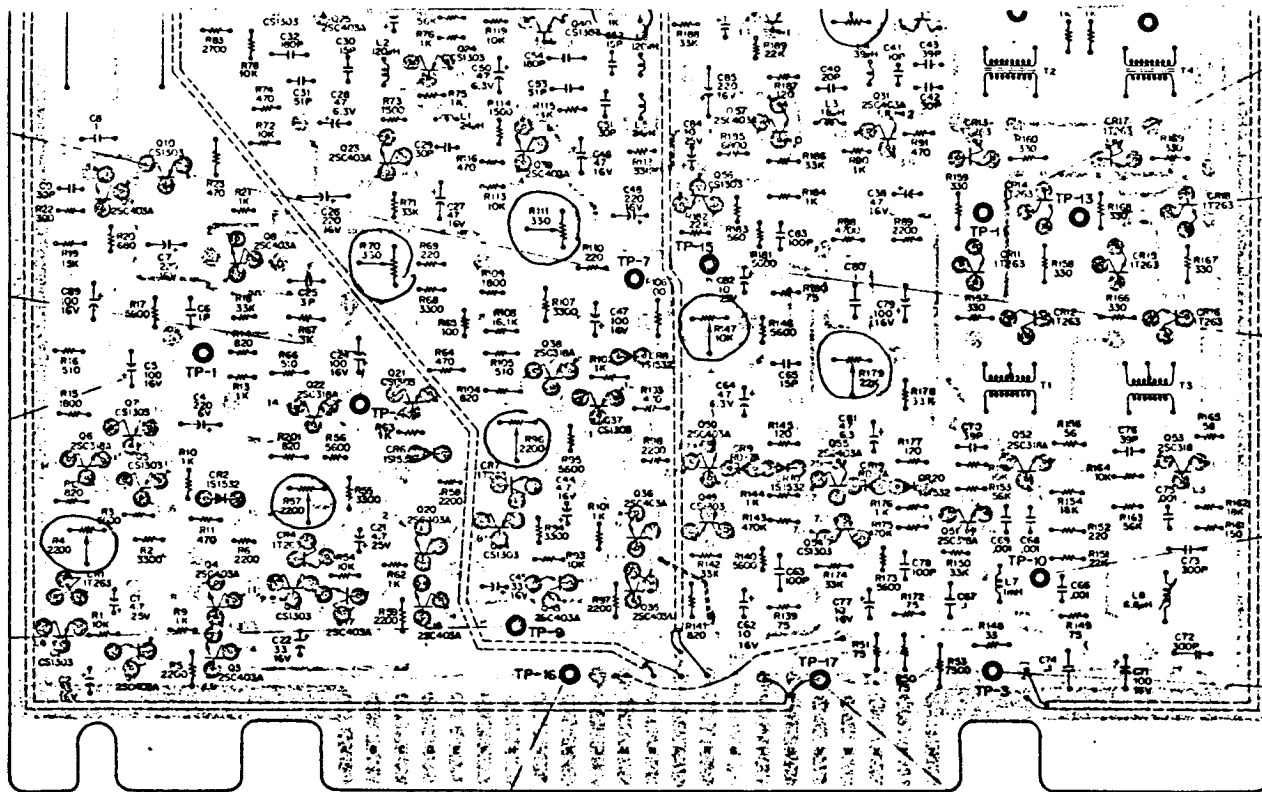
-conductor side-



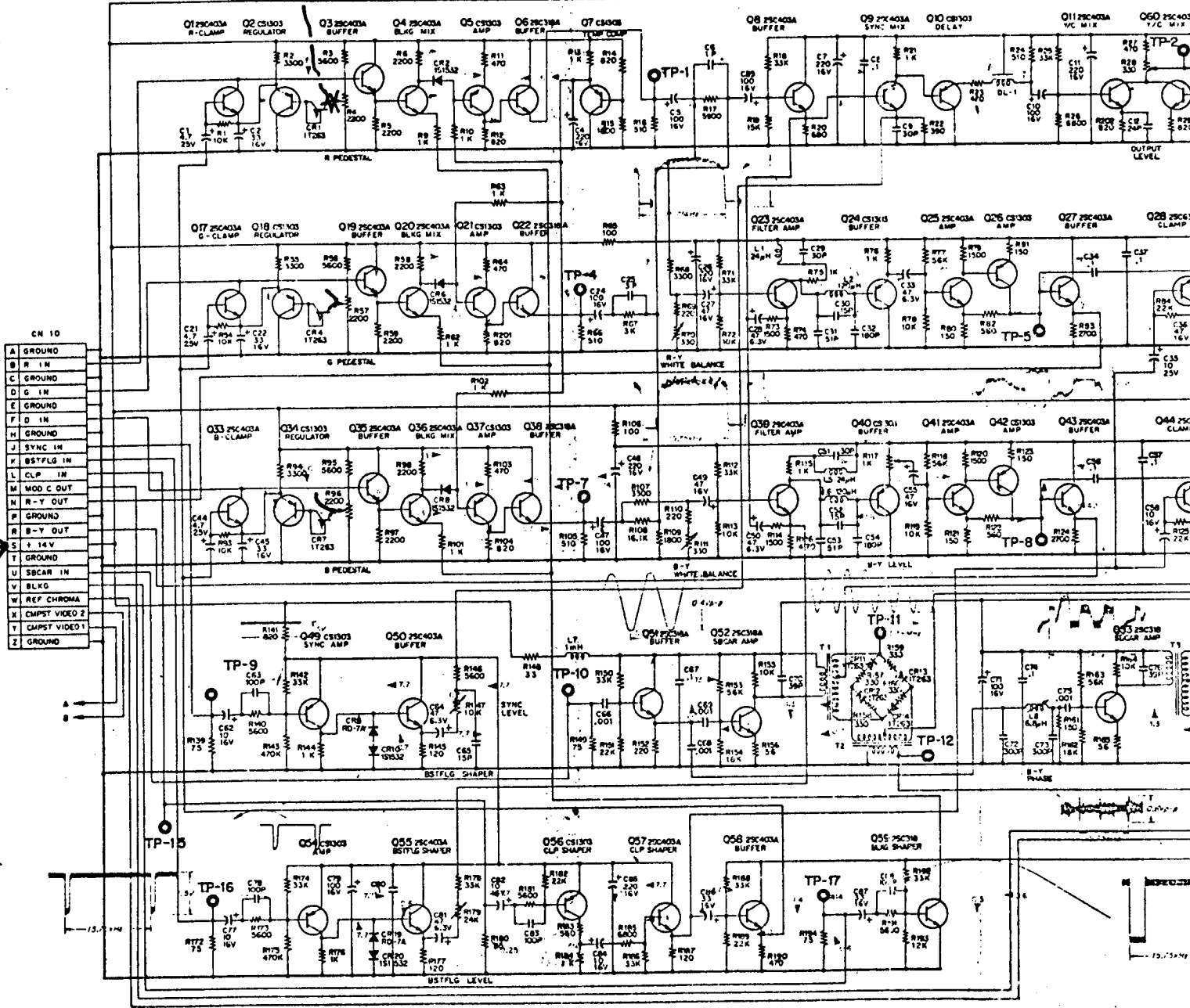
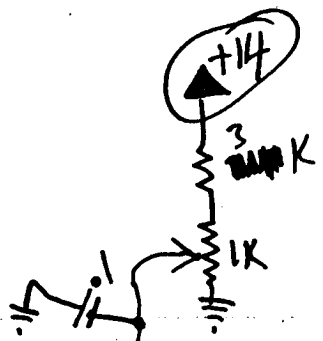
ENCODER
-conductor side-

0070 0111 1111



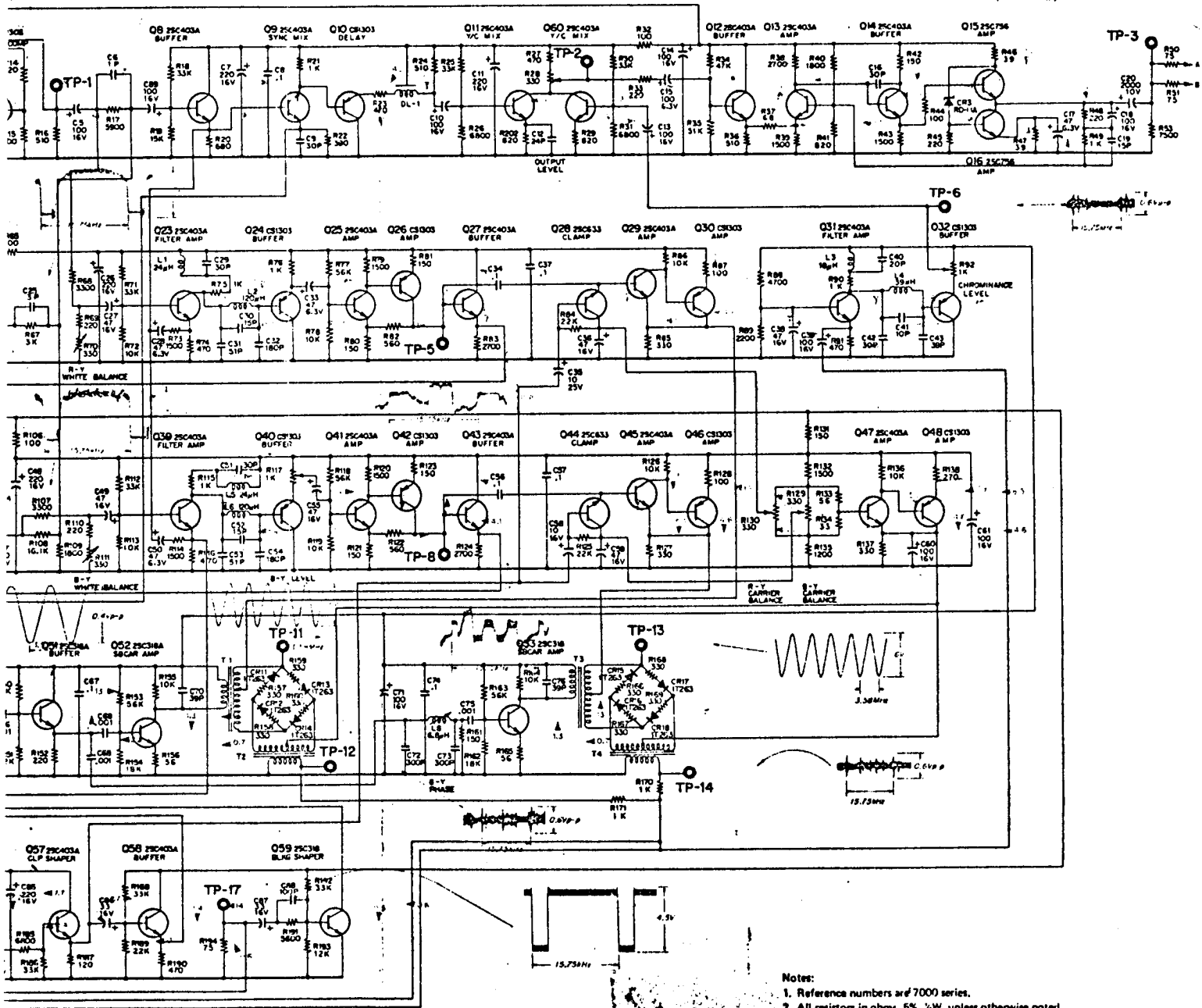


Note:
Printed pattern of
component side
is shown in gray.



- A GROUND
- B R IN
- C GROUND
- D G IN
- E GROUND
- F D IN
- H GROUND
- J SYNC IN
- L CLP IN
- M MOD C OUT
- N R-Y OUT
- P GROUND
- R B-Y OUT
- S 7.14V
- T GROUND
- U SB CAR IN
- V BLKG
- W REF CHROMA
- X CMPST VIDEO 2
- Y CMPST VIDEO 1
- Z GROUND

6-12. ENCODER



Notes:

1. Reference numbers are 7000 series.
2. All resistors in ohms, 5%, 1/4W, unless otherwise noted.
3. All capacitors in μF unless otherwise noted.
4. The blue arrow indicates d-c voltage.