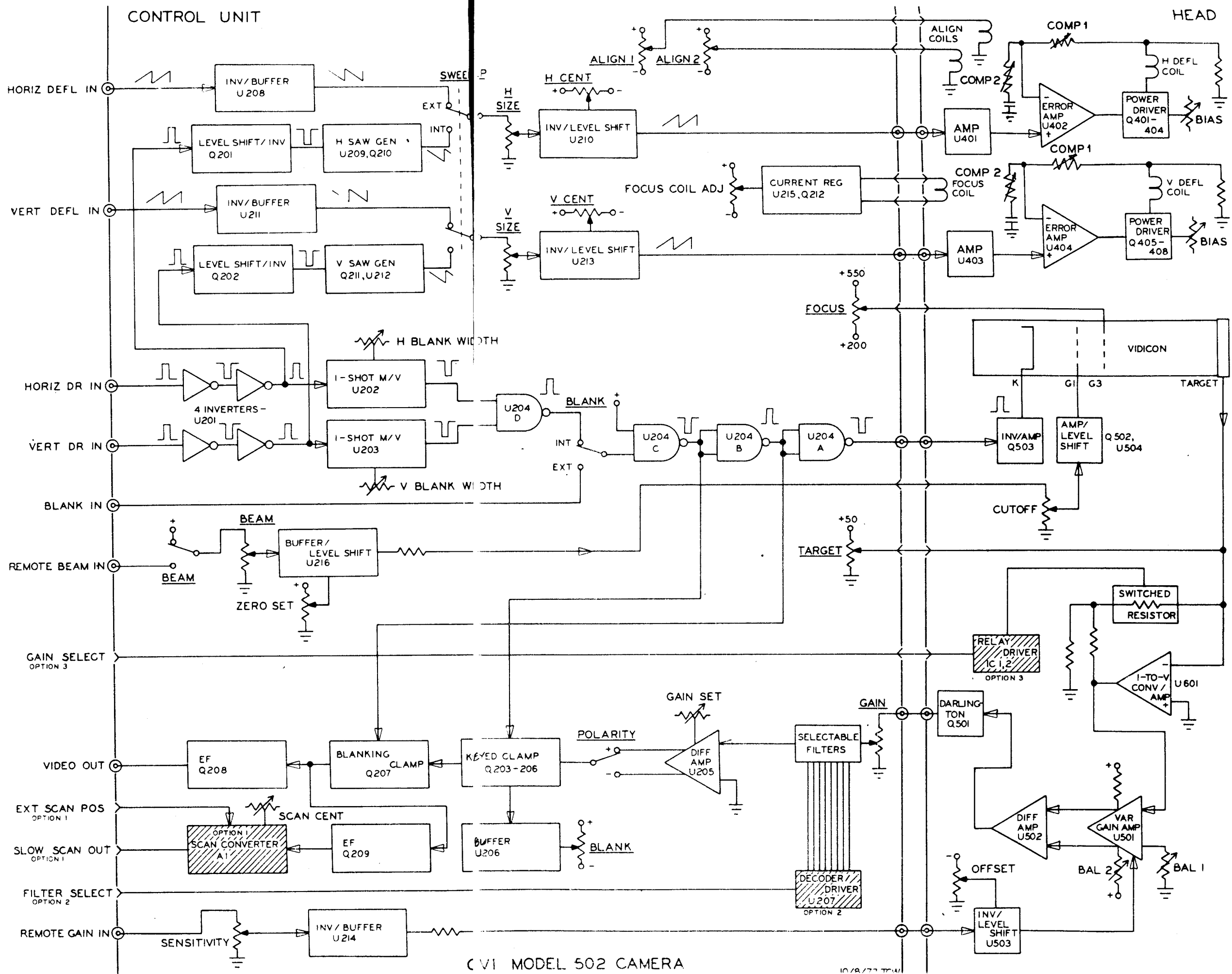
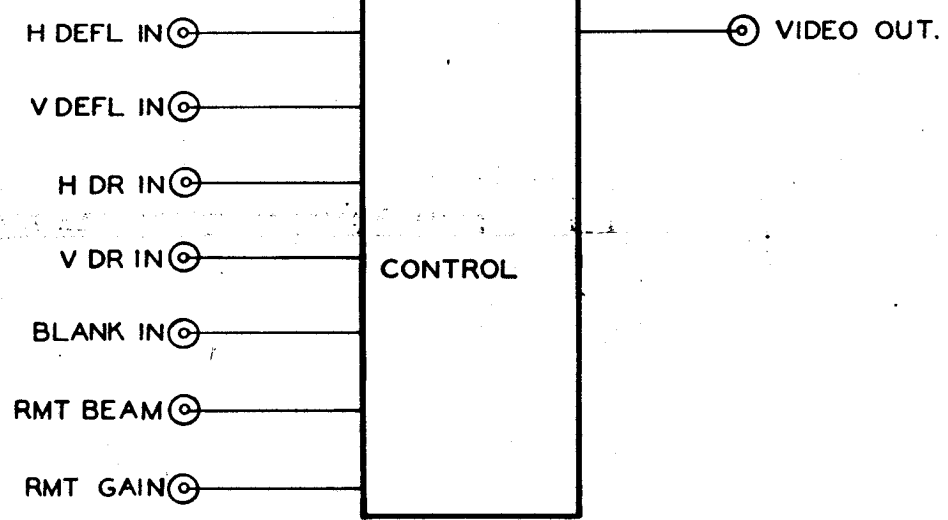
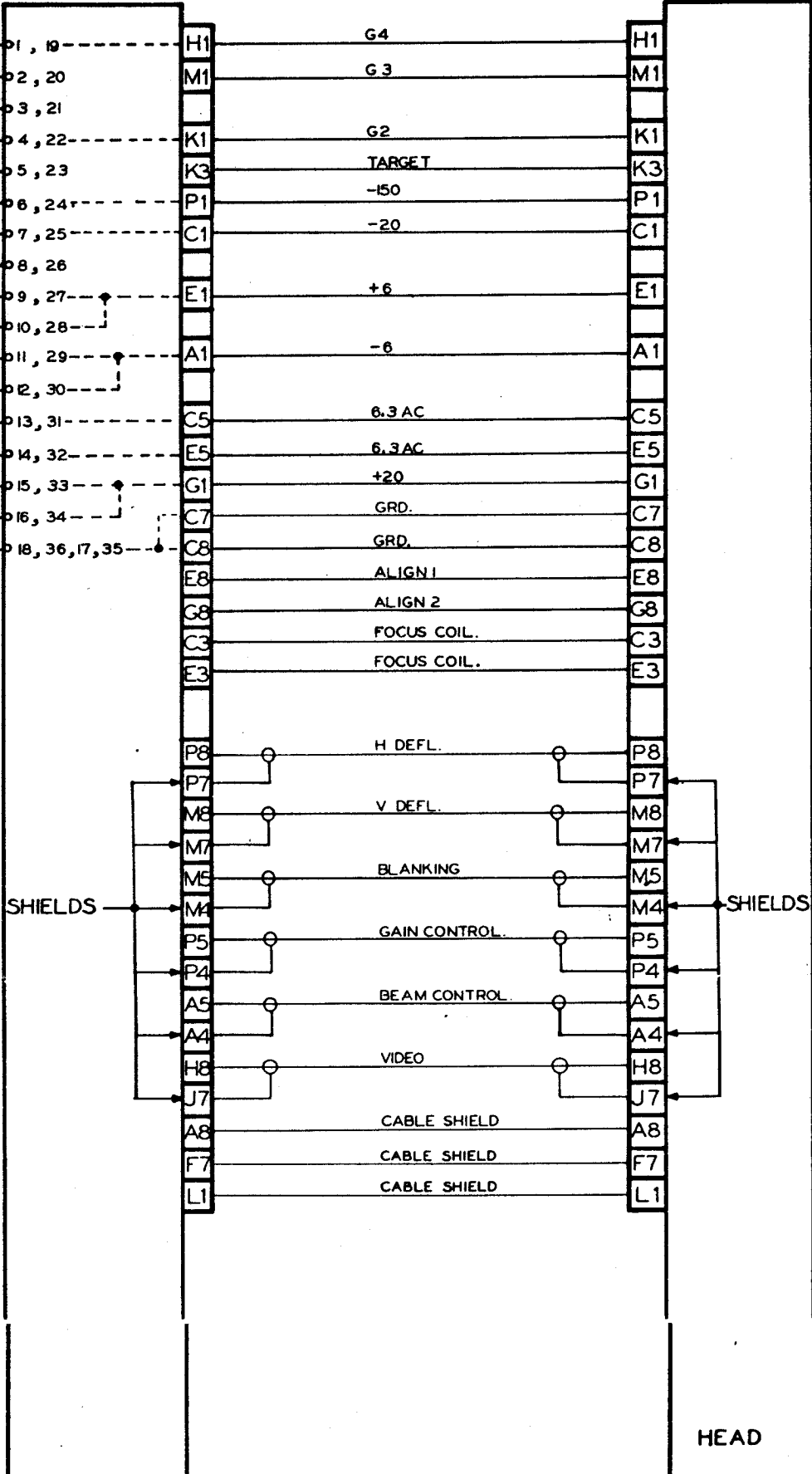
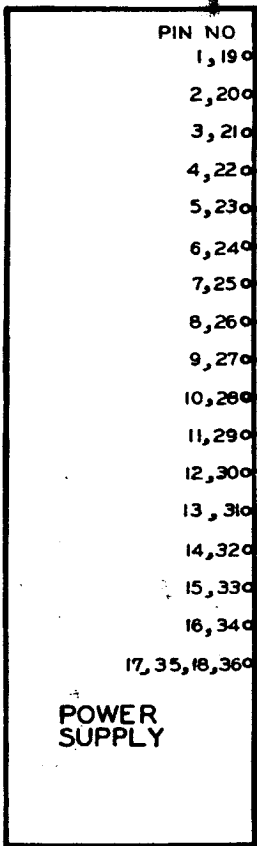


INTERCONNECTION DIAGRAM DATA CAMERA.				cv i COLORADO VIDEO, INC.	
PREP BY:	<i>B</i> 12/15/72	LRL	<i>tau</i>	502 -107 -000	
APP'D BY:		SCALE	NONE	SHEET 1 OF 1	SIZE D



CVI MODEL 502 CAMERA

10/8/77 JFW

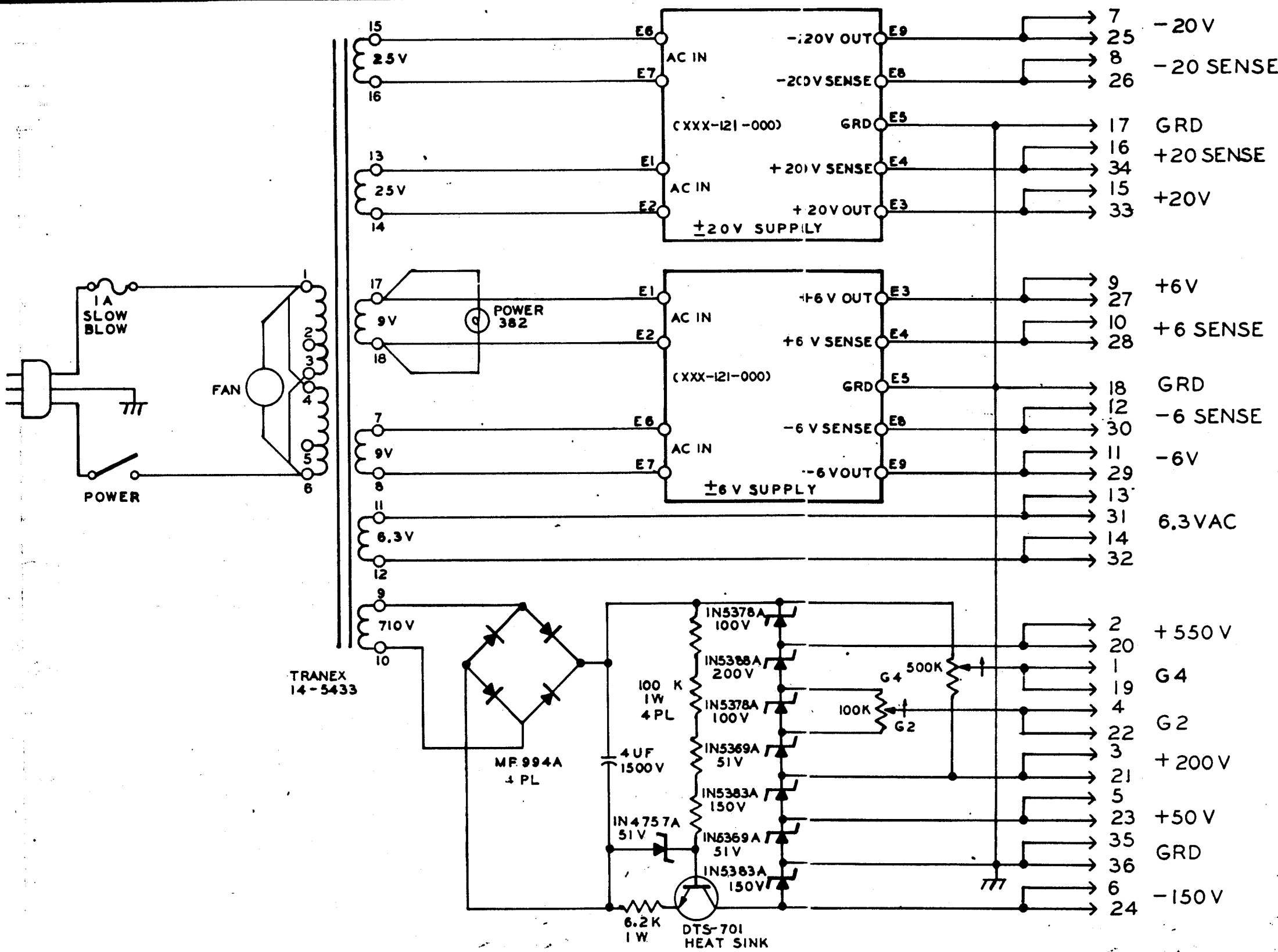


INTERCONNECTION DIAGRAM DATA CAMERA.

PREP BY:	APP'D:	SCALE:
12/1/72		NONE
LRL		

CVI COLORADO VIDEO, INC.

502-107-000



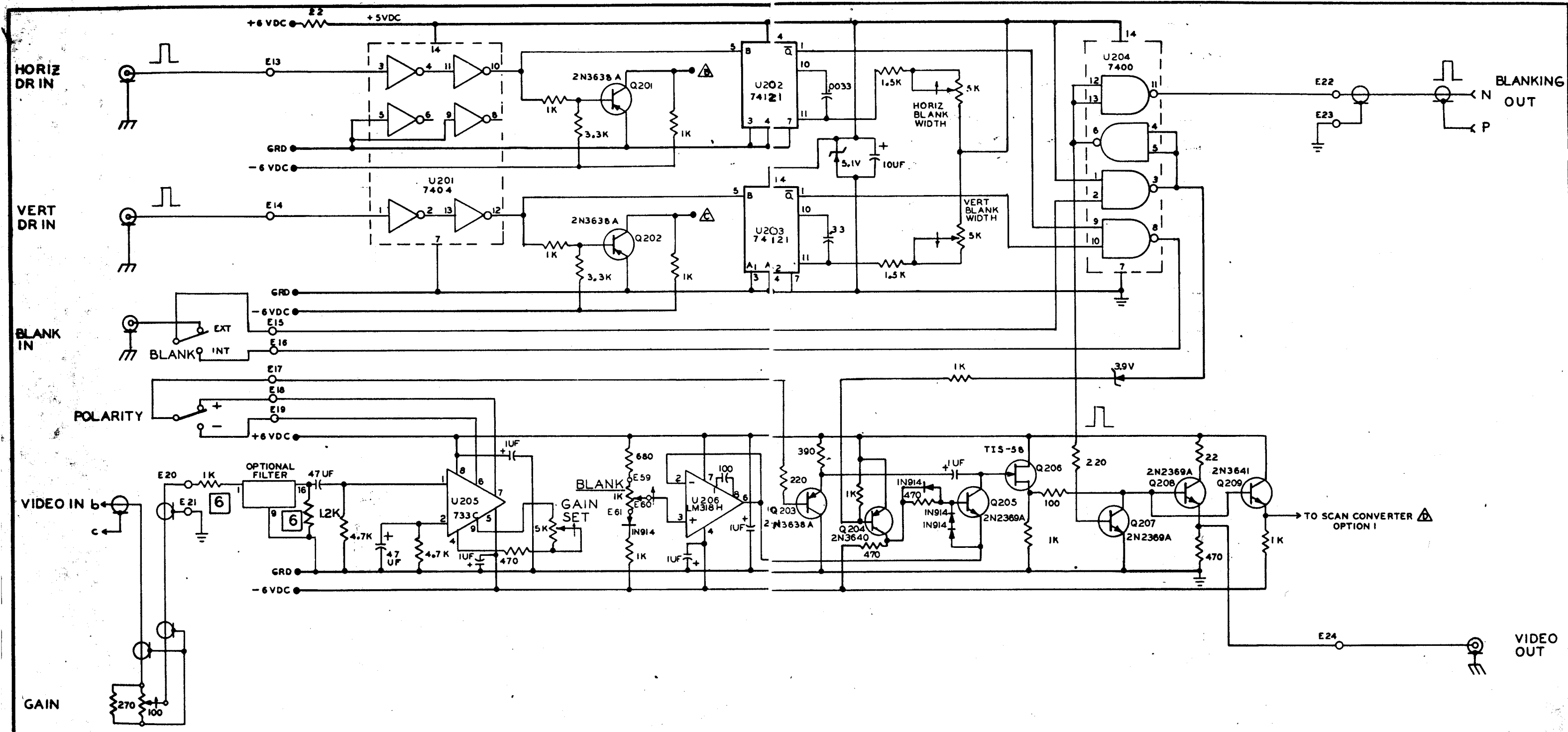
WIRING DIAGRAM
DATA CAMERA
POWER SUPPLY.

cvi COLORADO VIDEO INC.

PREP BY:		LRL	A ^{rev} 4/26/74
APP'D BY:		SCALE	NONE

502 -101 -000

SHEET 1 OF 1 SIZE: C



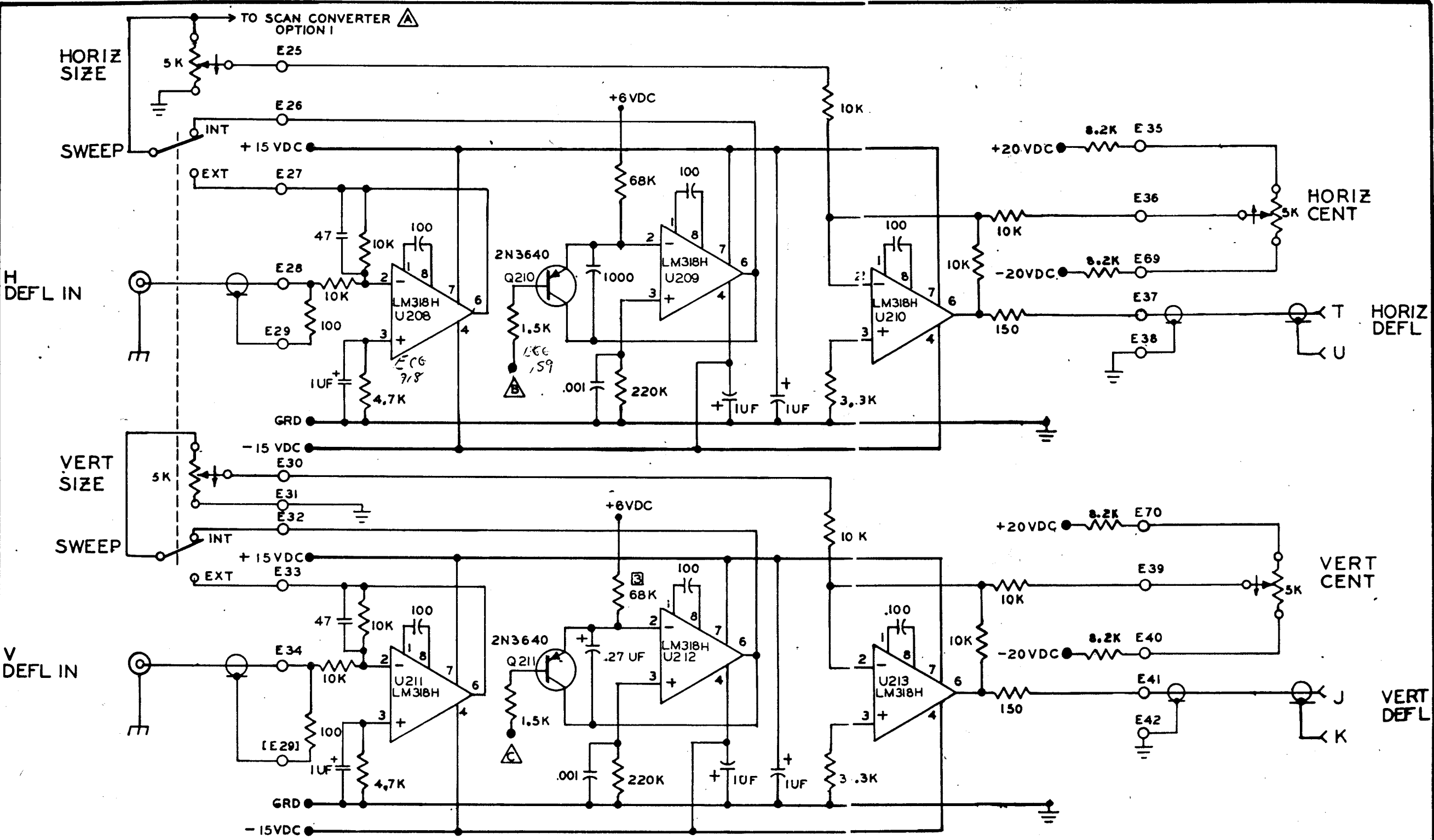
- +20V E10
- +20V E20
- +6V E30
- +6V E40
- GND E50
- GND E60
- GND E70
- GND E80
- 6V E90
- 6V E100
- 20V E110
- 20V E120

1. ALL RESISTORS ARE 1/2 WATT 5%.
 2. ALL NPN TRANSISTORS ARE 2N3641.
 3. ALL PNP TRANSISTORS ARE 2N3638.
 4. CAPACITANCE VALUES ARE IN UF IF LESS THAN ONE AND IN UUF IF GREATER THAN ONE.
 5. ALL MICROLOGIC UNITS ARE UL914.
 6. FOR OPTIONAL SWITCHABLE FILTER: CHANGE 1K TO 47Ω & OMIT 1.2K
- GEN. NOTES UNLESS OTHERWISE SPECIFIED.

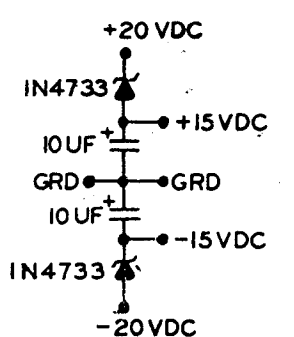
**SCHEMATIC DIAGRAM
DATA CAMERA - (CCU)
VIDEO.**

DESIGNATORS ON THIS SMT.	PREP BY: <i>CB</i>	LRL	B <i>12/27/81</i>	502-102-000
E 1-24, 59-61	DATE: <i>12/27/81</i>			
Q 201-209	APP'D BY:	SCALE: NONE	SHEET 1 OF 3	

SIZE: D



3. 82 K FOR 625 LINE OPERATION
 2. CAPACITANCE VALUES ARE IN UF IF LESS THAN ONE AND UUF IF GREATER THAN ONE.
 1. ALL RESISTORS ARE 1/2 WATT 5%.
 GEN. NOTES UNLESS OTHERWISE SPECIFIED:



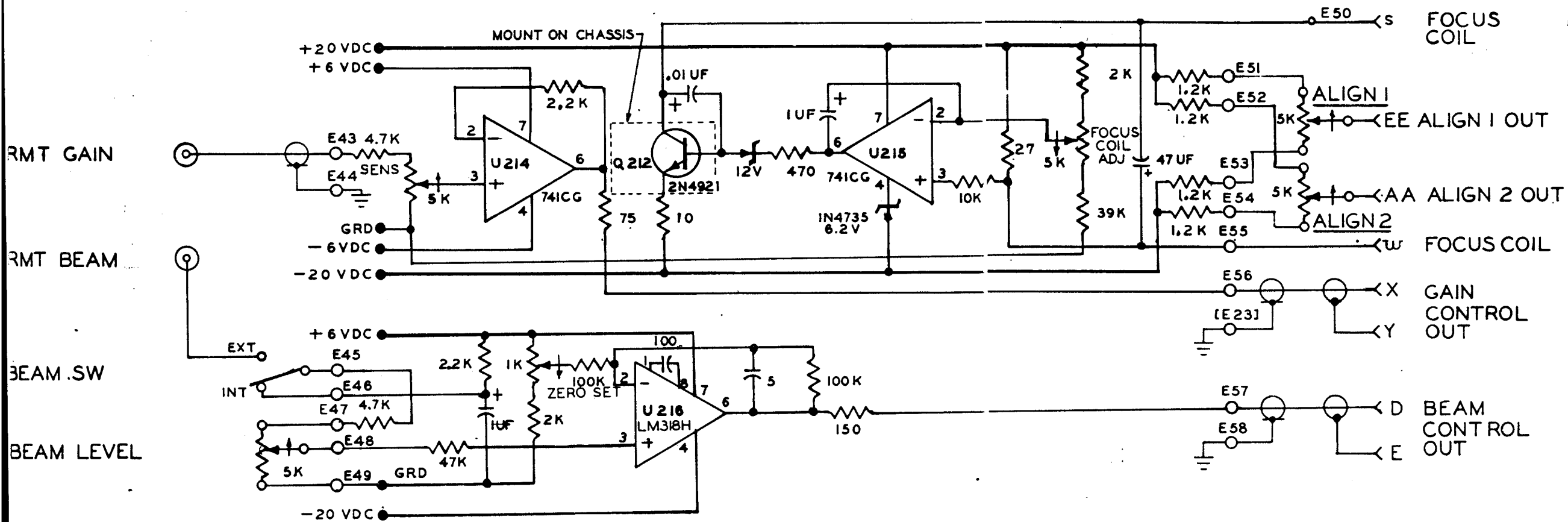
DESIGNATORS ON THIS SHEET	
E	25-42
Q	210-211
U	208-213

SCHEMATIC DIAGRAM DATA CAMERA (CCU) DEFLECTION.			
PREP BY:	<i>B. Wilson</i>	LRL	"C" 7-21-75 g-a.w.
APP'D BY:		SCALE	NONE

cvi COLORADO VIDEO, INC.

502 -102 -000

SHEET 2 OF 3 SIZE: C



4. CAPACITANCE VALUES ARE IN UF IF LESS THAN ONE AND IN UUF IF GREATER THAN ONE.
3. ALL PNP TRANSISTORS ARE 2N3638.
2. ALL NPN TRANSISTORS ARE 2N3641.
1. ALL RESISTORS ARE 1/2 WATT 5%.
- GEN. NOTES UNLESS OTHERWISE SPECIFIED:

DESIGNATORS ON THIS SHEET	
E	43-58
Q	212
U	214-216

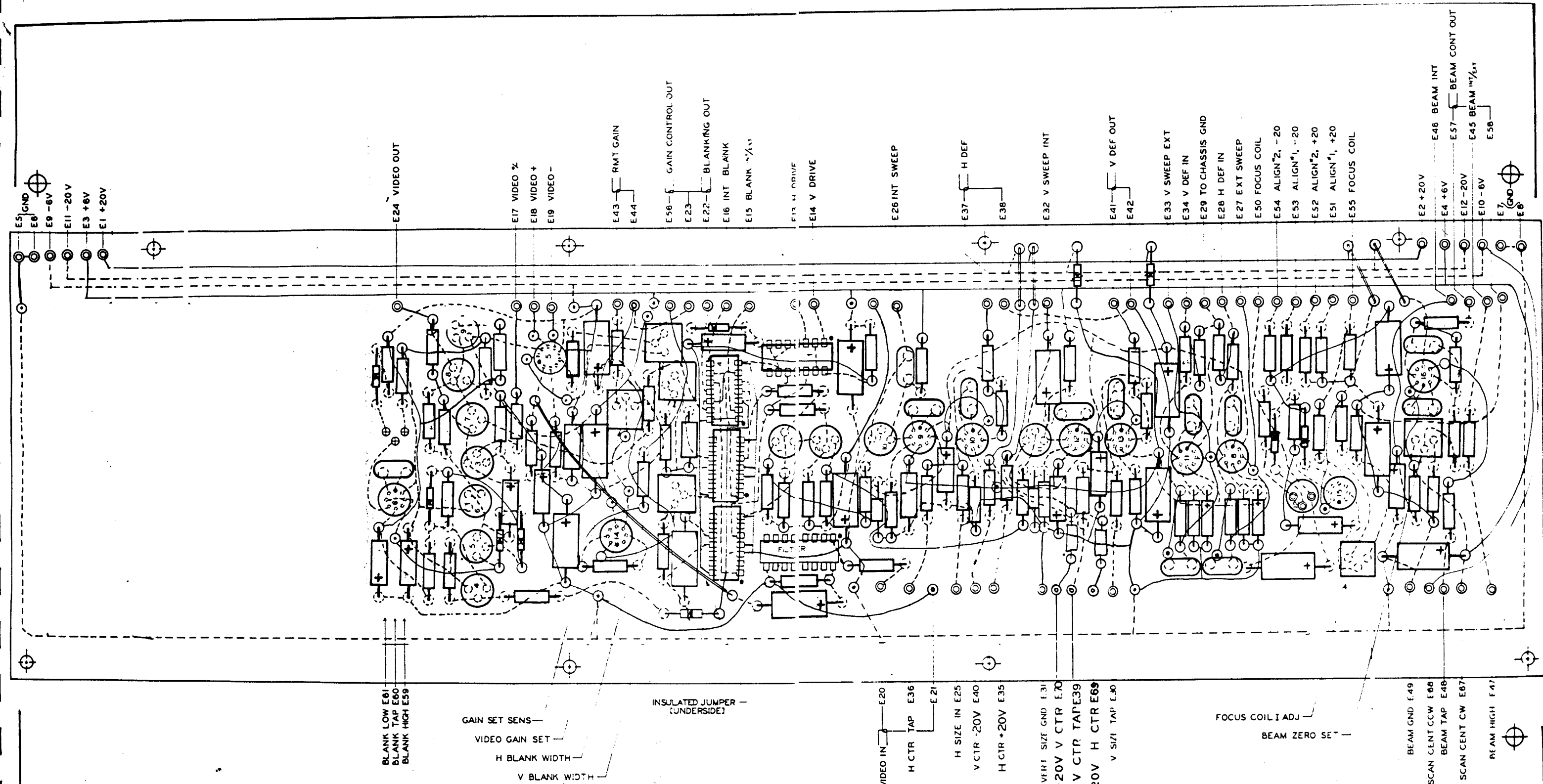
SCHEMATIC DIAGRAM DATA CAMERA (CCU) CONTROL			
REP BY: <i>B</i>	DATE: <i>12/5/62</i>	LRL	<i>B 3/11/62</i>
APP'D	SCALE	NONE	

cvi COLORADO VIDEO, INC.

502-102-000

SHEET 3 OF 3 SIZE: C

502-102-000



E5 GND
 E6 -6V
 E9 -20V
 E11 -20V
 E3 +6V
 E1 +20V
 E24 VIDEO OUT
 E17 VIDEO %
 E18 VIDEO +
 E19 VIDEO -
 E43 RMT GAIN
 E44
 E56 GAIN CONTROL OUT
 E23
 E22 BLANKING OUT
 E16 INT BLANK
 E15 BLANK %
 E13 H DRIVE
 E14 V DRIVE
 E26 INT SWEEP
 E37 H DEF
 E38
 E32 V SWEEP INT
 E41 V DEF OUT
 E42
 E33 V SWEEP EXT
 E34 V DEF IN
 E29 TO CHASSIS GND
 E28 H DEF IN
 E27 EXT SWEEP
 E50 FOCUS COIL
 E54 ALIGN², -20
 E53 ALIGN¹, -20
 E52 ALIGN², +20
 E51 ALIGN¹, +20
 E55 FOCUS COIL
 E2 +20V
 E4 +6V
 E12 -20V
 E10 -6V
 E7 GND
 E8
 E46 BEAM INT
 E57 BEAM CONT OUT
 E45 BEAM INT/EXT
 E58

BLANK LOW E81
 BLANK TAP E60
 BLANK HIGH E59
 GAIN SET SENS
 VIDEO GAIN SET
 H BLANK WIDTH
 V BLANK WIDTH
 INSULATED JUMPER -
 (UNDERSIDE)
 VIDEO IN E20
 H CTR TAP E36
 E21
 H SIZE IN E25
 V CTR -20V E40
 H CTR +20V E35
 H VERT SIZE GND E31
 +20V V CTR E70
 V CTR TAP E39
 -20V H CTR E69
 V SIZE TAP E30
 FOCUS COIL I ADJ
 BEAM ZERO SET
 BEAM GND E49
 SCAN CENT CCW E68
 BEAM TAP E48
 SCAN CENT CW E87
 BEAM HIGH E47

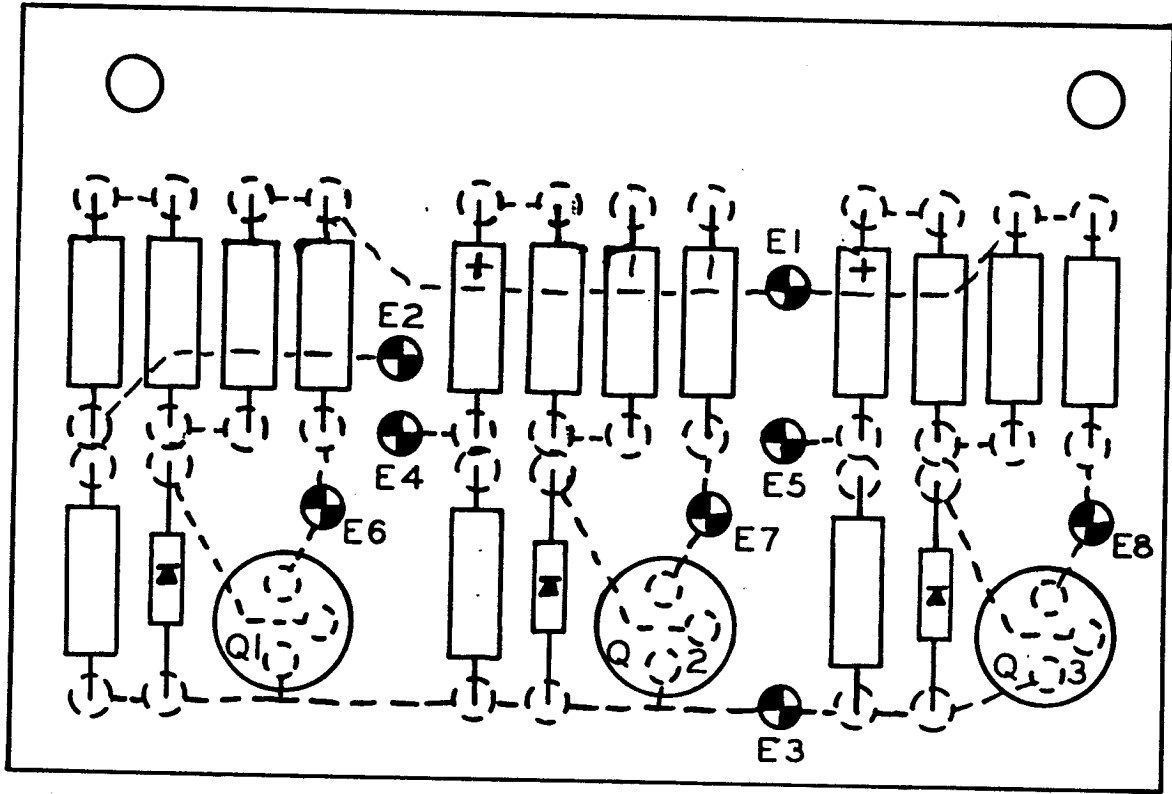
CIRCUIT BOARD ASSY,
 DATA CAMERA CCU

CVI COLORADO VIDEO, INC.

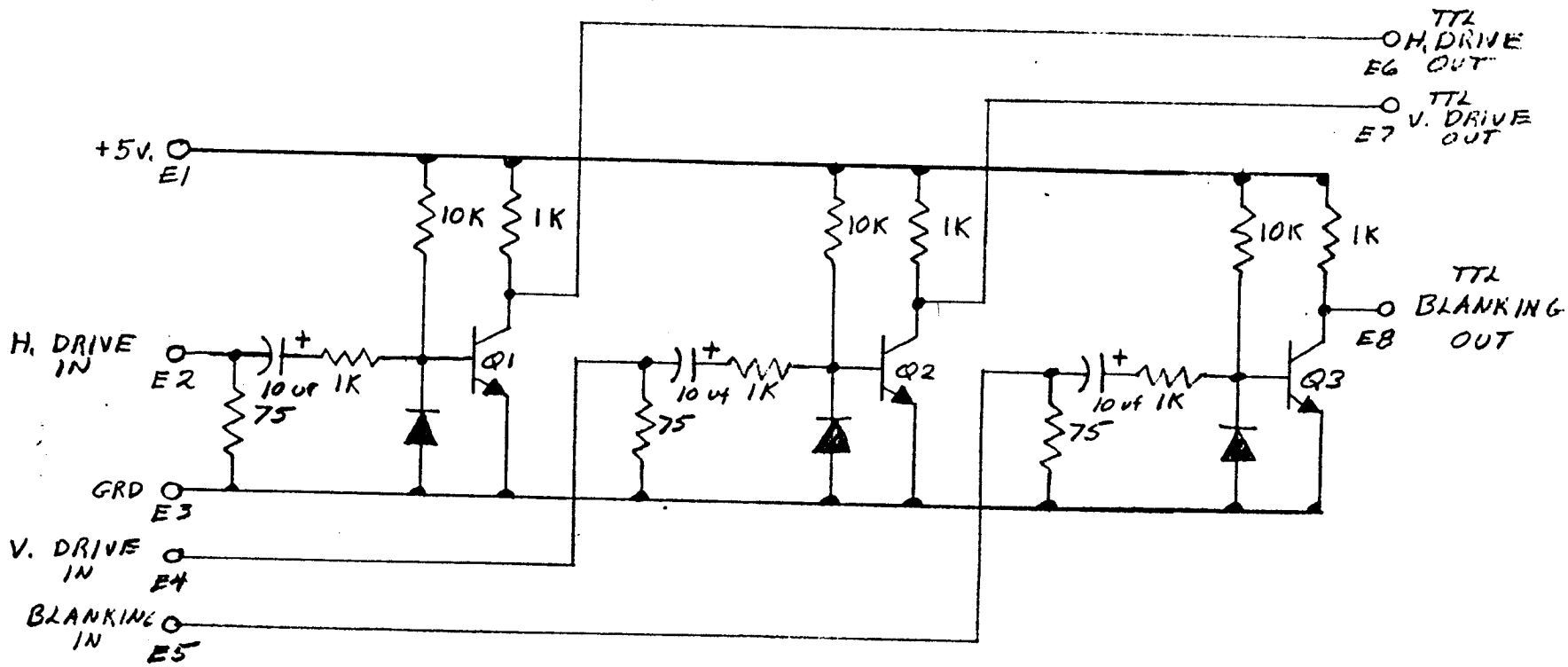
PREP BY	LRL	C
APP'D	SCALE	2:

502-002-000

502-002-000



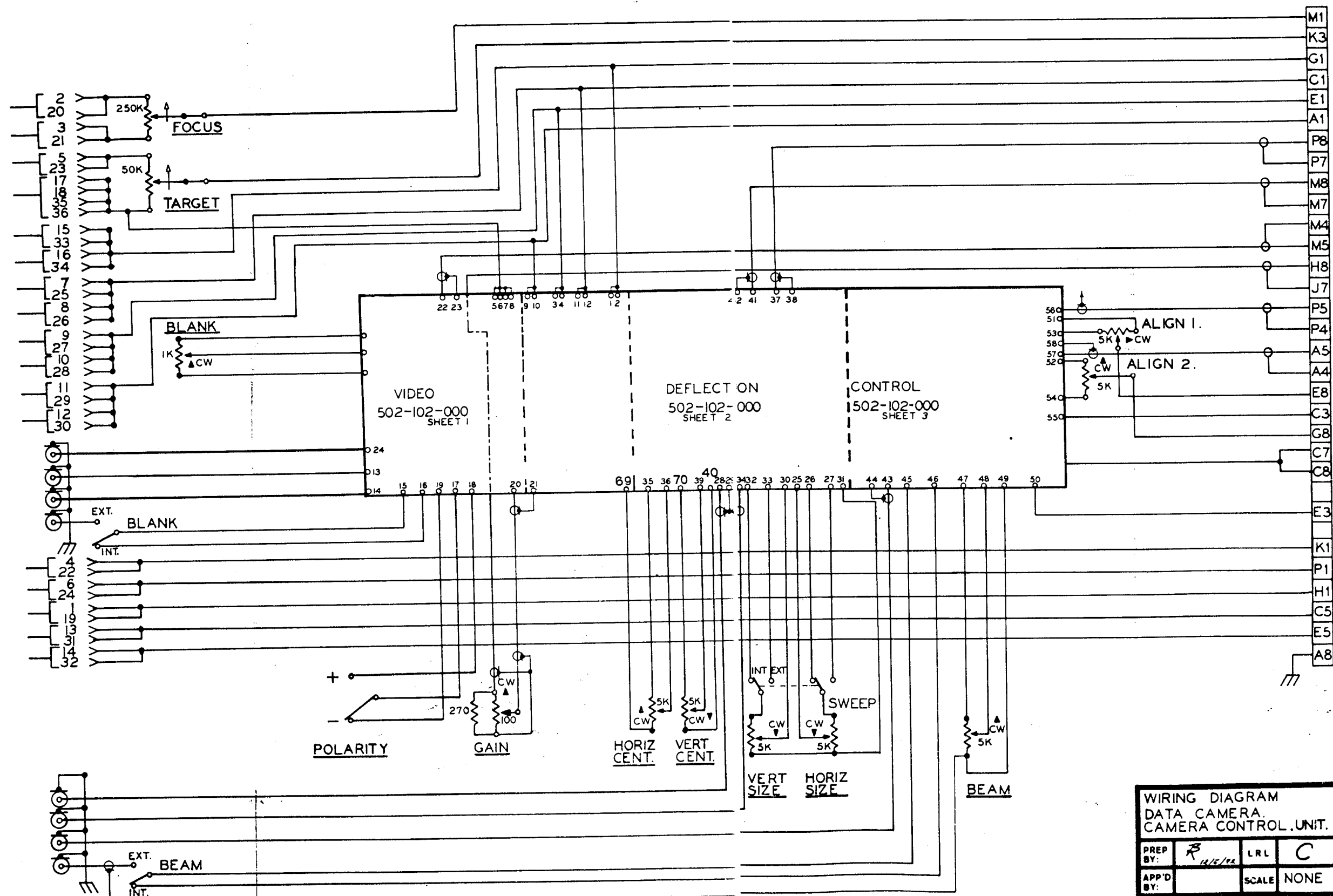
CIRCUIT BOARD ASSY DATA CAMERA EIA INTERFACE		CVI COLORADO VIDEO, INC.
PRP: ^{12/2/75} AAL	LRL	502-013-000
APP: AAL	SC: 2:1	SH. 1 of 1 SIZE A



ALL DIODES ARE 1N914
 ALL TRANSISTORS ARE 2N2369A

SCHEMATIC DIAGRAM DATA CAMERA EIA INTERFACE		CVI COLORADO VIDEO, INC.
PRP: <i>4/3/75</i> <i>PRE</i>	ARL:	502-113-000
AP: <i>PRE</i>	SC: NONE	SH 1 OF 1 SIZE A

+550 VDC
 +200 VDC
 +50 VDC
 GRD.
 +20 VDC
 +20 SENSE.
 -20 VDC
 -20 SENSE.
 +6 VDC
 +6 SENSE.
 -6 VDC
 -6 SENSE
 VIDEO OUT.
 HORIZ. DR.IN
 VERT. DR.IN
 BLANK IN.
 G2.
 -150 VDC.
 G 4.
 6.3 VAC
 6.3 VAC

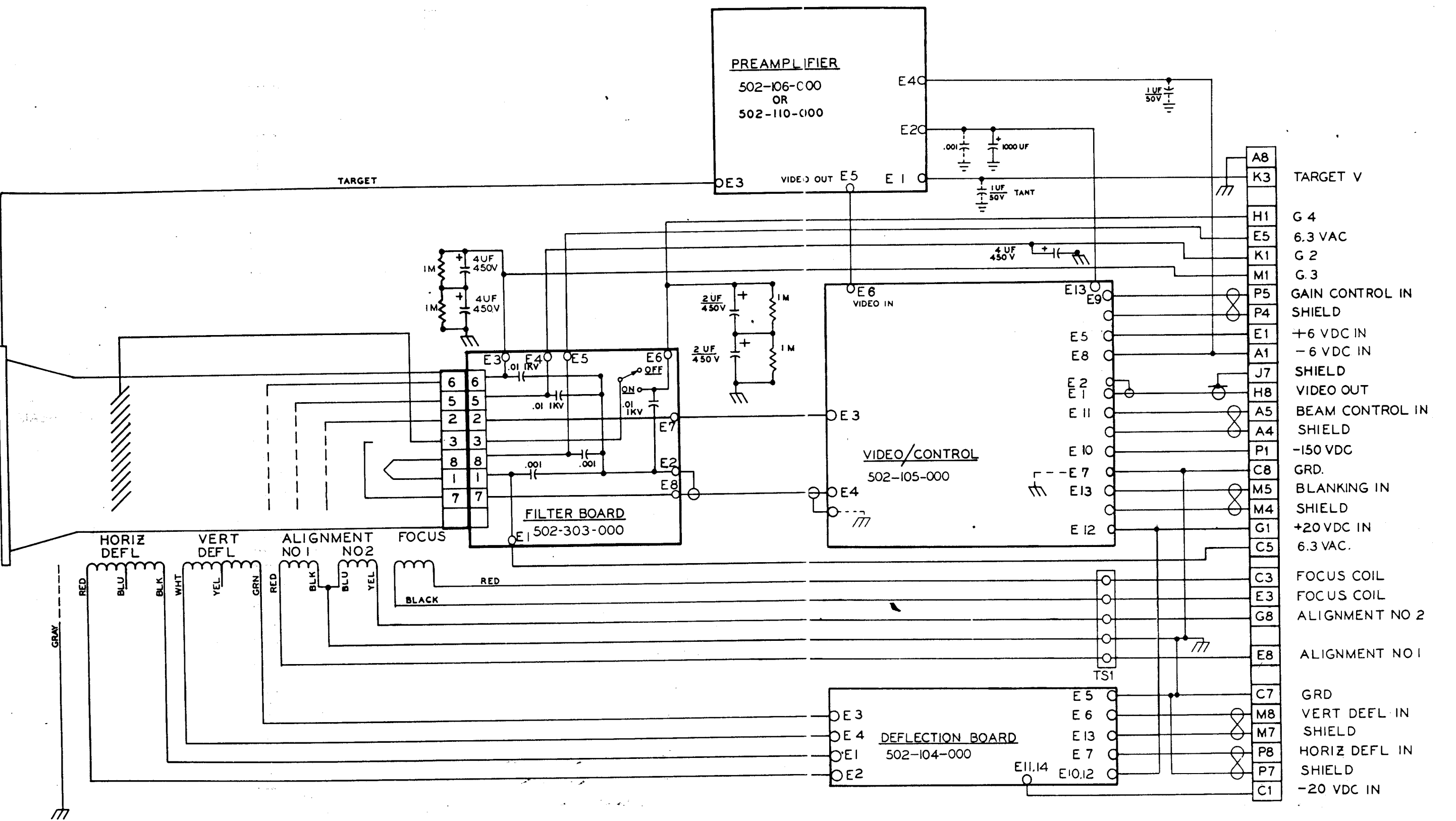


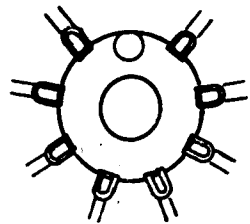
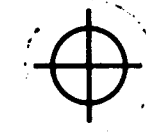
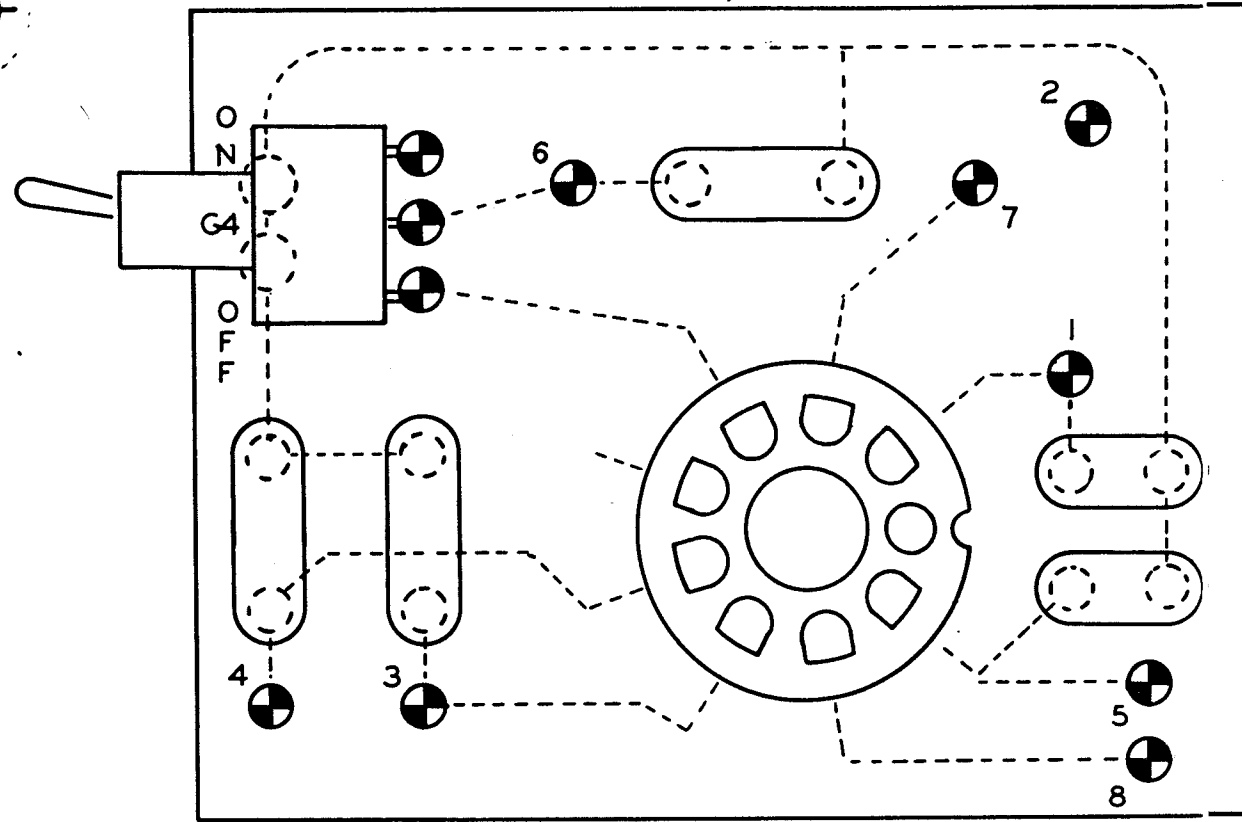
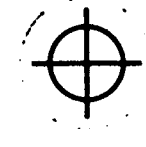
G3 OUT.
 TARGET OUT.
 +20VDC OUT.
 -20VDC OUT.
 +6 VDC OUT.
 -6 VDC OUT.
 HORIZ DEFL.
 SHIELD
 VERT DEFL.
 SHIELD
 SHIELD
 BLANK OUT
 VIDEO IN
 SHIELD
 GAIN CONTROL OUT.
 SHIELD
 BEAM CONTROL OUT
 SHIELD
 ALIGN 1 OUT
 FOCUS COIL.
 ALIGN 2 OUT.
 GRD.
 FOCUS COIL.
 G 2
 -150 VDC
 G 4
 6.3 VAC.
 6.3 VAC.

HORIZ DEFL. IN.
 VERT DEFL. IN.
 RMT GAIN.
 RMT BEAM.

WIRING DIAGRAM				cv ⁱ COLORADO VIDEO, INC.	
DATA CAMERA.				502-108-000	
CAMERA CONTROL UNIT.				SHEET 1 OF 1 SIZE: D	
PREP BY:	<i>R</i>	LRL	C		
APP'D BY:		SCALE	NONE		

502-102-000





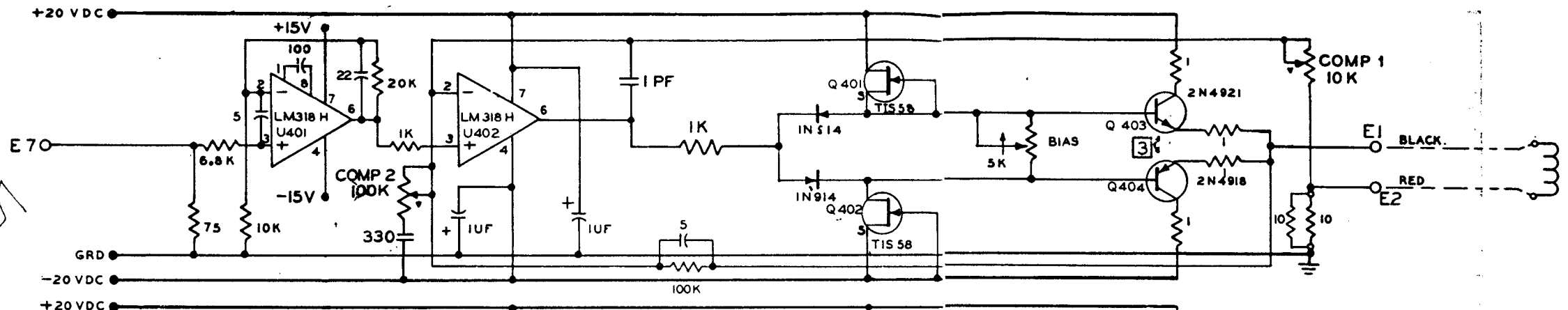
MOUNTING TUBE SOCKET:
 INSERT SOCKET THRU HOLE
 BEND TERMINALS OVER &
 SOLDER TO CONDUCTORS

CIRCUIT BOARD ASS'Y FILTER DATA CAMERA				cvi COLORADO VIDEO, INC.	
PREP BY:		LRL		502-003-000	
APP'D BY:		SCALE	2:1		
SHEET OF				SIZE: B	

502-203-000

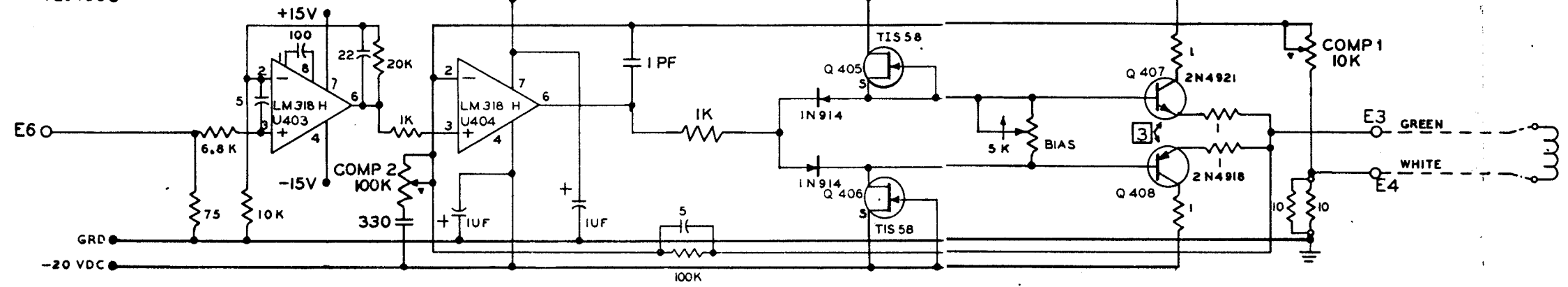
HORIZ DEFL IN

14P2



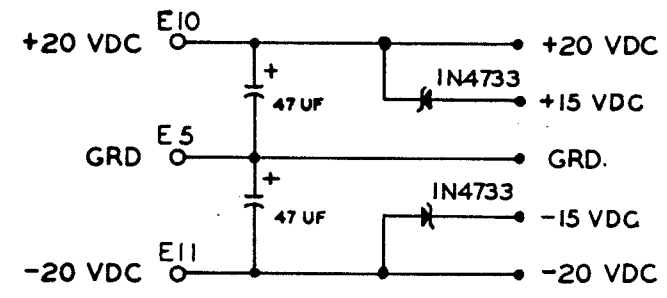
HORIZ DEFLECTION YOKE.

VERT DEFL IN

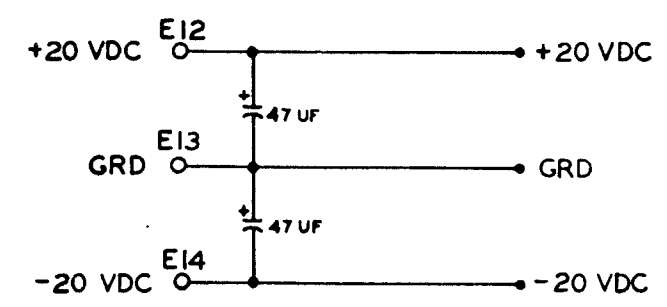


VERT DEFLECTION YOKE.

H. DEFL. POWER



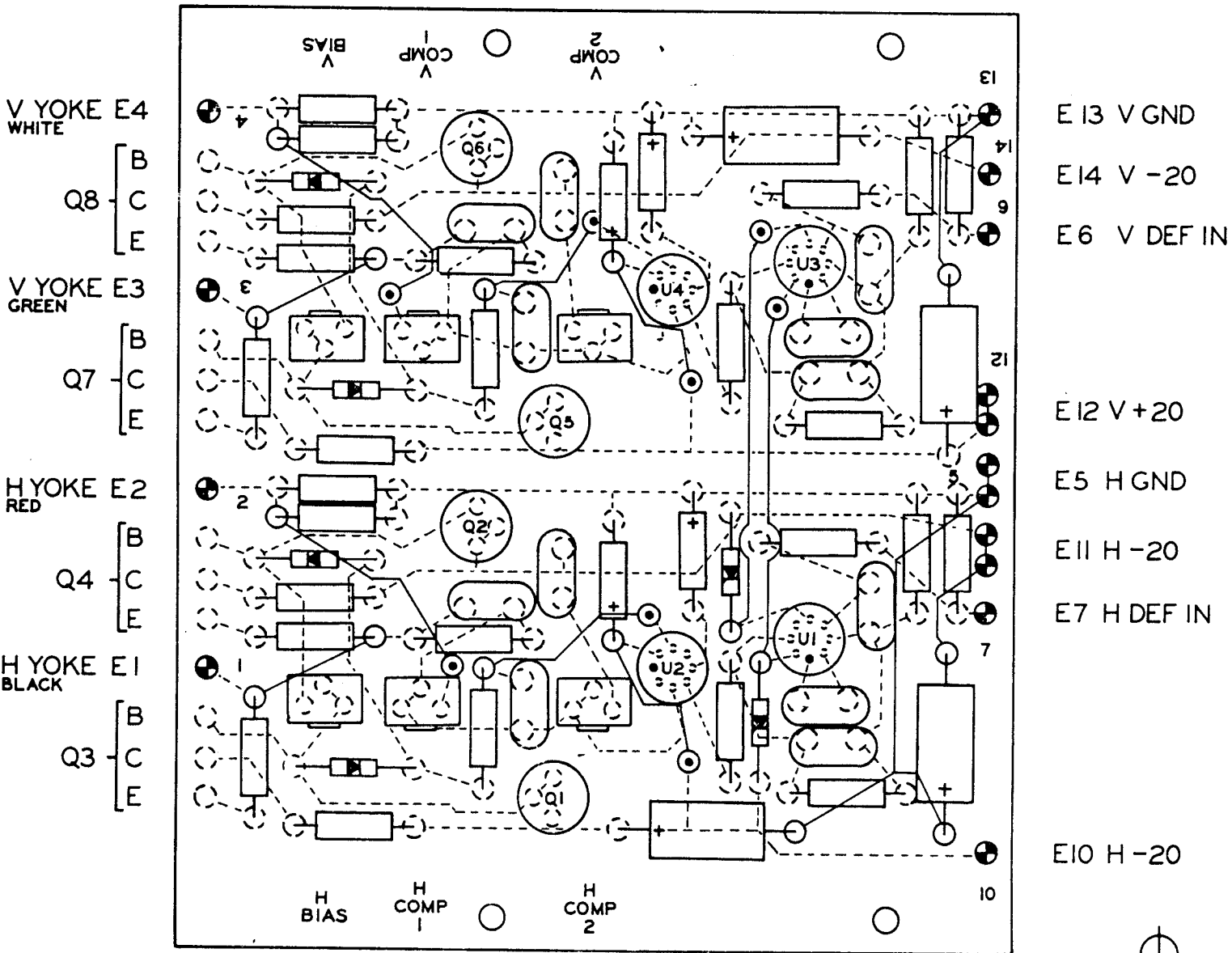
V. DEFL. POWER



- 3. MOUNTED ON HEAT SINK
- 2. CAPACITANCE VALUES ARE IN UF IF LESS THAN ONE AND IN UUF IF GREATER THAN ONE.
- 1. ALL RESISTORS ARE 1/2 WATT 5%

GEN. NOTES UNLESS OTHERWISE SPECIFIED:

SCHEMATIC DIAGRAM DATA CAMERA-HEAD DEFLECTION.		cv i COLORADO VIDEO INC	
PREP BY <i>R</i>	LRL <i>02/2/74</i>	502-104-000	
APP'D BY	SCALE NONE	SHEET 1 OF 1 SIZE D	



CIRCUIT BOARD ASS'Y
DEFLECTION BOARD
CAMERA HEAD

cvi COLORADO VIDEO, INC.

PREP BY: *OCW*
7/3/73

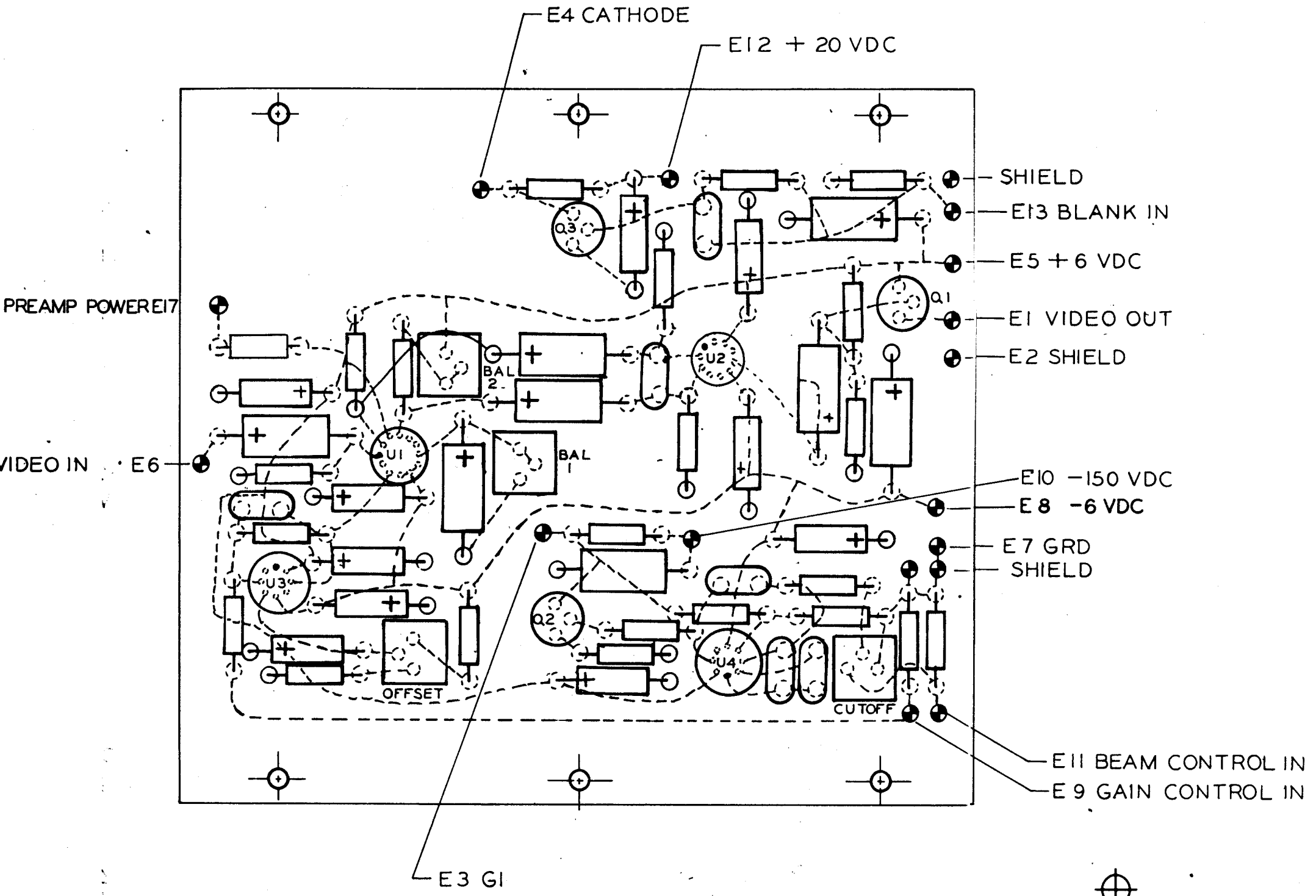
LRL *7311*

APP'D BY: _____

SCALE 2:1

502-004-000

SHEET | OF | SIZE: C



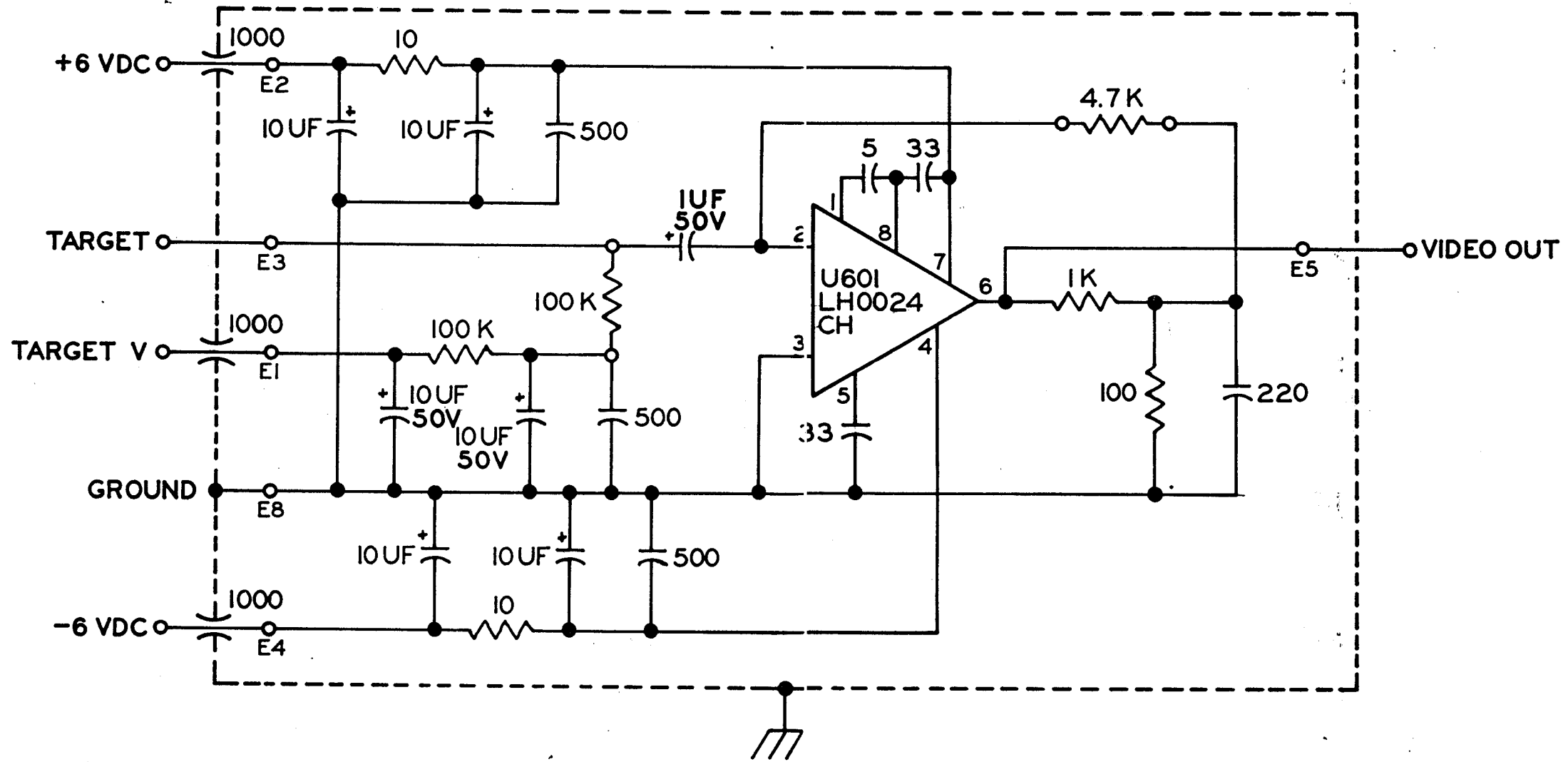
CIRCUIT BOARD ASSY,
VIDEO CONTROL -
CAMERA HEAD

cvi COLORADO VIDEO, INC.

PREP BY:	LRL	A 400 3/11/74
APP'D BY:	SCALE	2 : 1

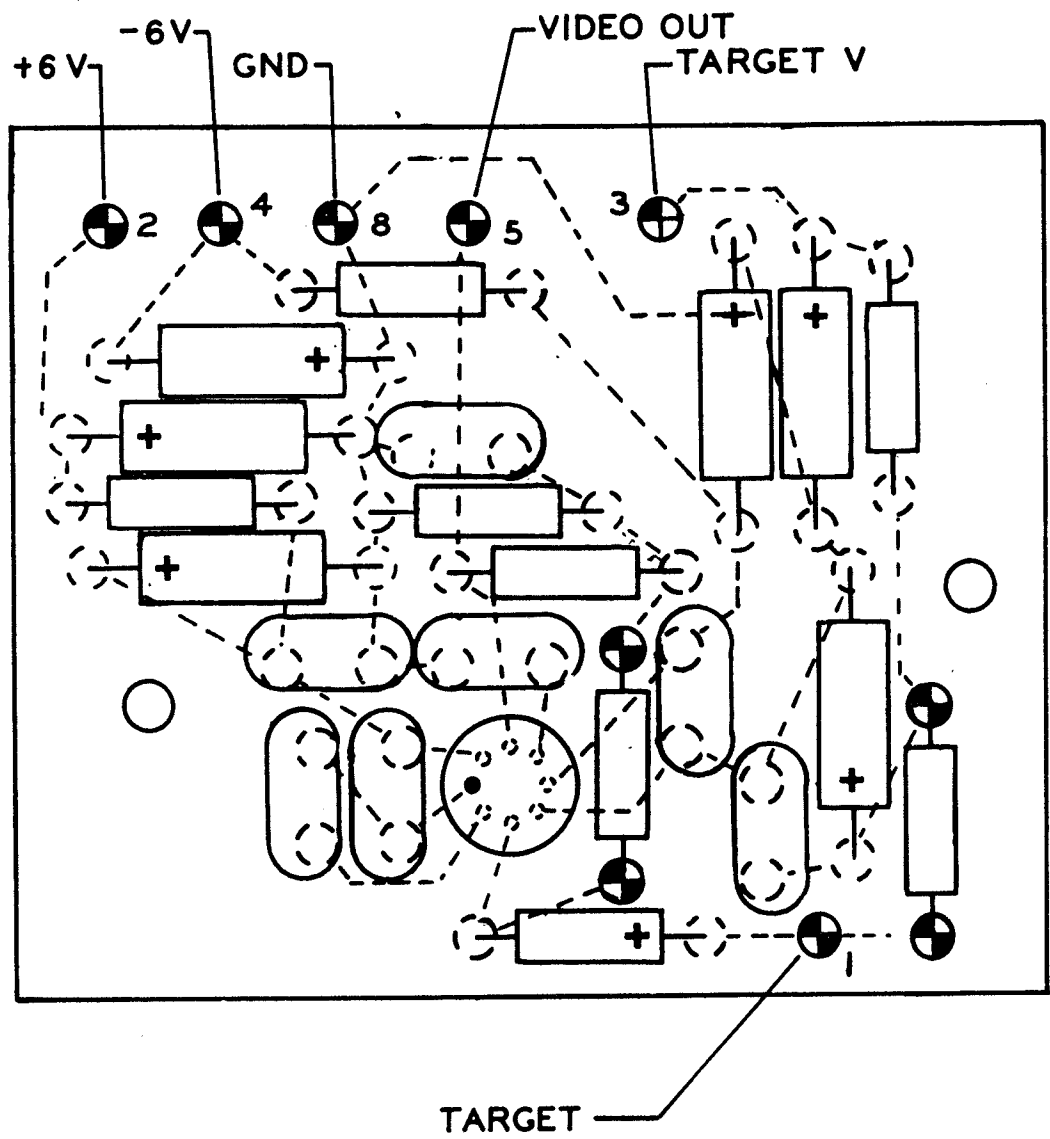
502 -005 -000

SHEET | OF | SIZE: C



2. CAPACITANCE VALUES ARE IN UF
IF LESS THAN ONE AND UUF IF
GREATER THAN ONE.
1. ALL RESISTORS ARE 1/2 WATT 5%.
GEN. NOTES UNLESS OTHERWISE SPECIFIED:

SCHEMATIC DIAGRAM PREAMPLIFIER CAMERA HEAD				cvi COLORADO VIDEO, INC.	
PREP. BY:	<i>RLD</i> 2/8/74	LRL	^A 9-29-75	502-110-000	
APP'D. BY:		SCALE		SHEET	OF
					SIZE: B



CIRCUIT BOARD ASS'Y
 PREAMPLIFIER
 CAMERA HEAD

PREP BY:

AW
2/21/74

LRL

APP'D BY:

SCALE

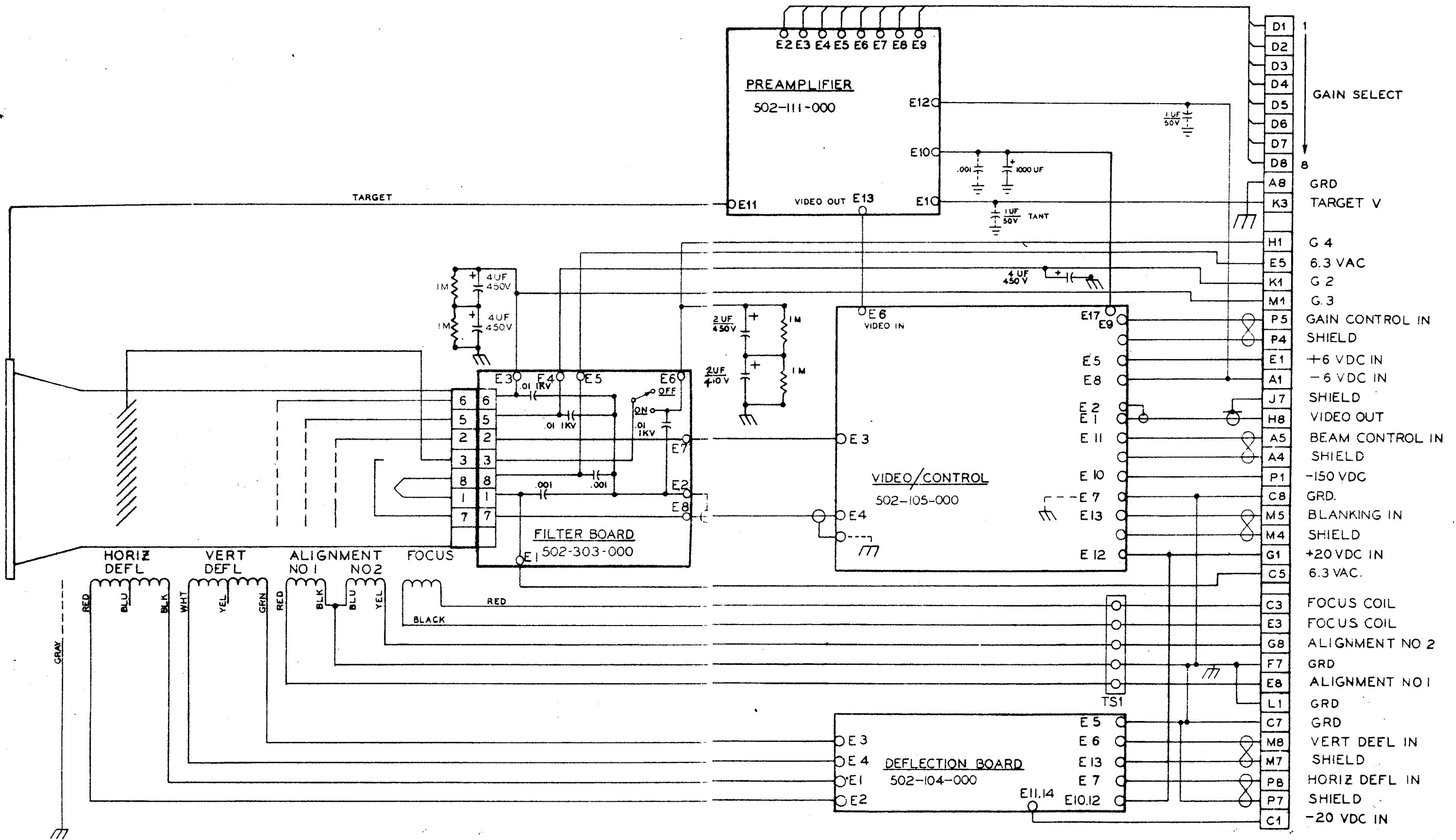
2:1

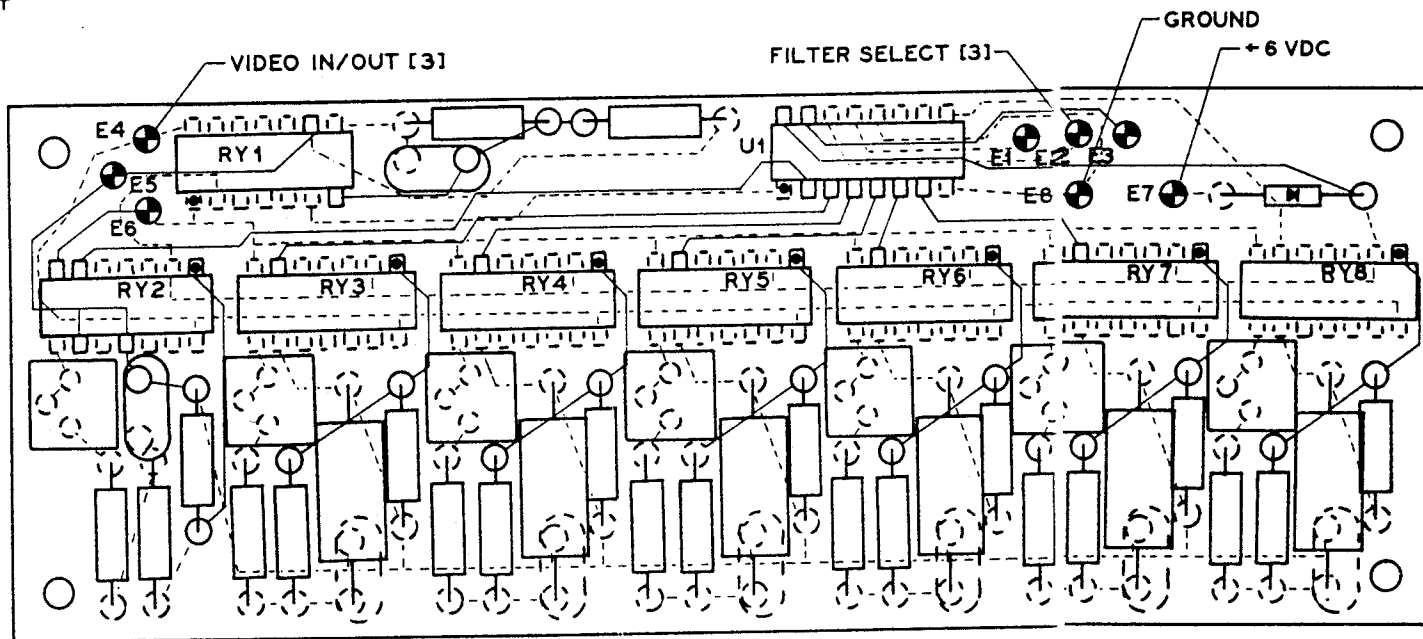
cvi COLORADO VIDEO, INC.

502-010-000

SHEET 1 OF 1

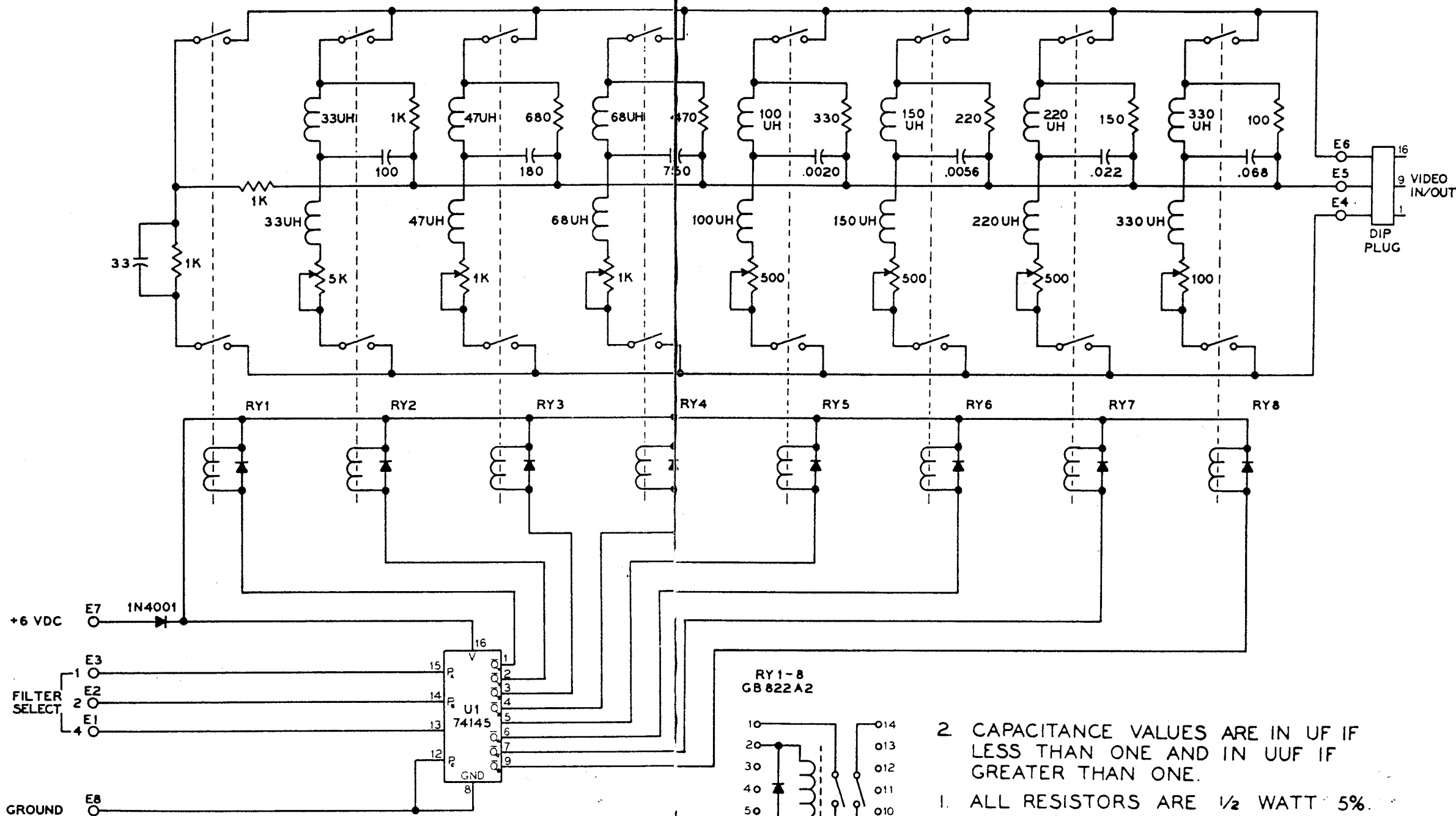
SIZE: B





502-012-000

CIRCUIT BOARD ASS'Y FILTER SWITCHER DATA CAMERA [CCU]				cvi COLORADO VIDEO, INC	
PREP BY	OCW 10/22/74	LRL		502-012-000	
APP BY		SCALE	2:1	SHEET 1 OF 1	SIZE C

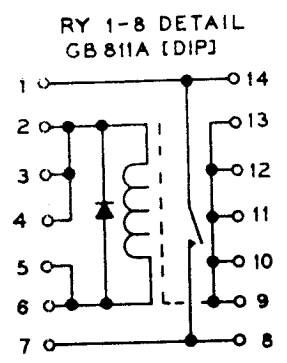
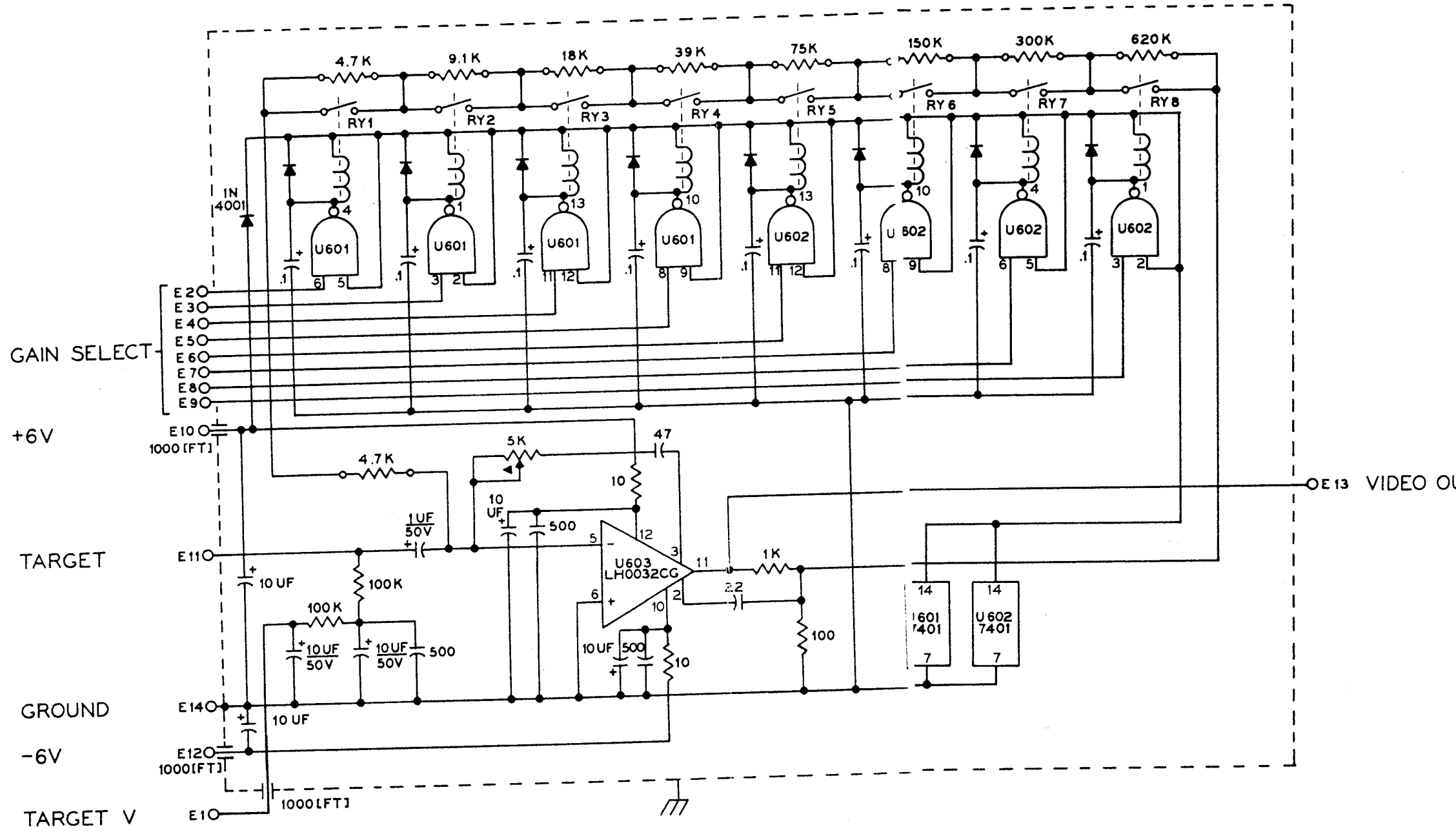


2 CAPACITANCE VALUES ARE IN UF IF LESS THAN ONE AND IN UUF IF GREATER THAN ONE.

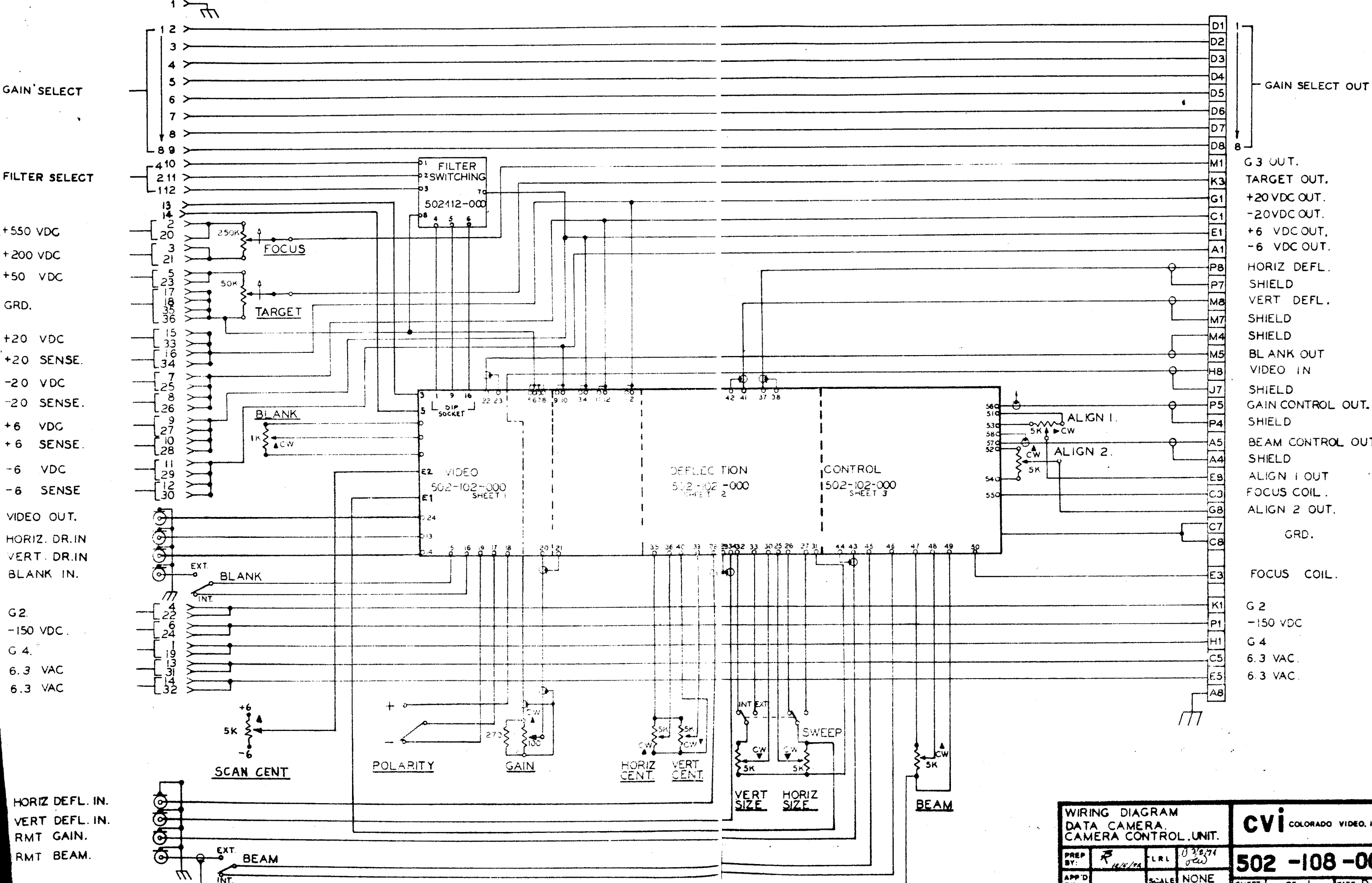
1. ALL RESISTORS ARE 1/2 WATT 5% GEN. NOTES UNLESS OTHERWISE SPECIFIED:

SCHEMATIC DIAGRAM FILTER SWITCHER DATA CAMERA [CCU]		cv i COLORADO VIDEO, INC	
PREP BY <i>RCW</i> 10/15/74	LRL	502-112-000	
APP'D BY	SCALE	SHEET 1 OF 1	SIZE: C

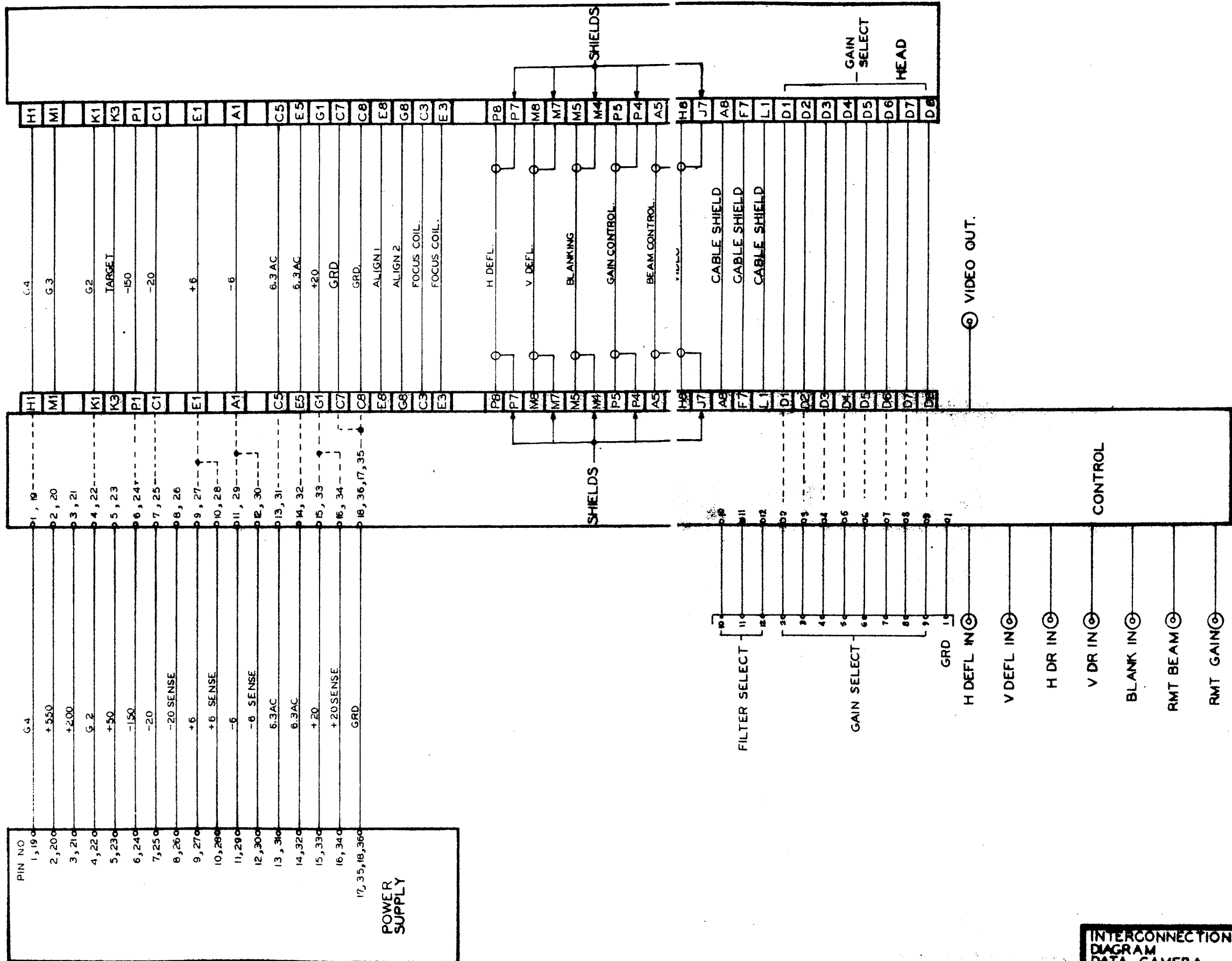
502-112-000



SCHEMATIC DIAGRAM DATA CAMERA - HEAD PREAMPLIFIER [VAR. GAIN]		cv i COLORADO V	
PREP BY	<i>CLW</i>	LRL	
APP'D BY	10/10/74	SCALE	
		502-111	
		SHEET 1 OF 1	



WIRING DIAGRAM DATA CAMERA CAMERA CONTROL UNIT.				COLORADO VIDEO, INC. 502-108-000
PREP BY: <i>R</i>	DATE: <i>11/18/74</i>	SCALE: NONE	SHEET 1 OF 1	



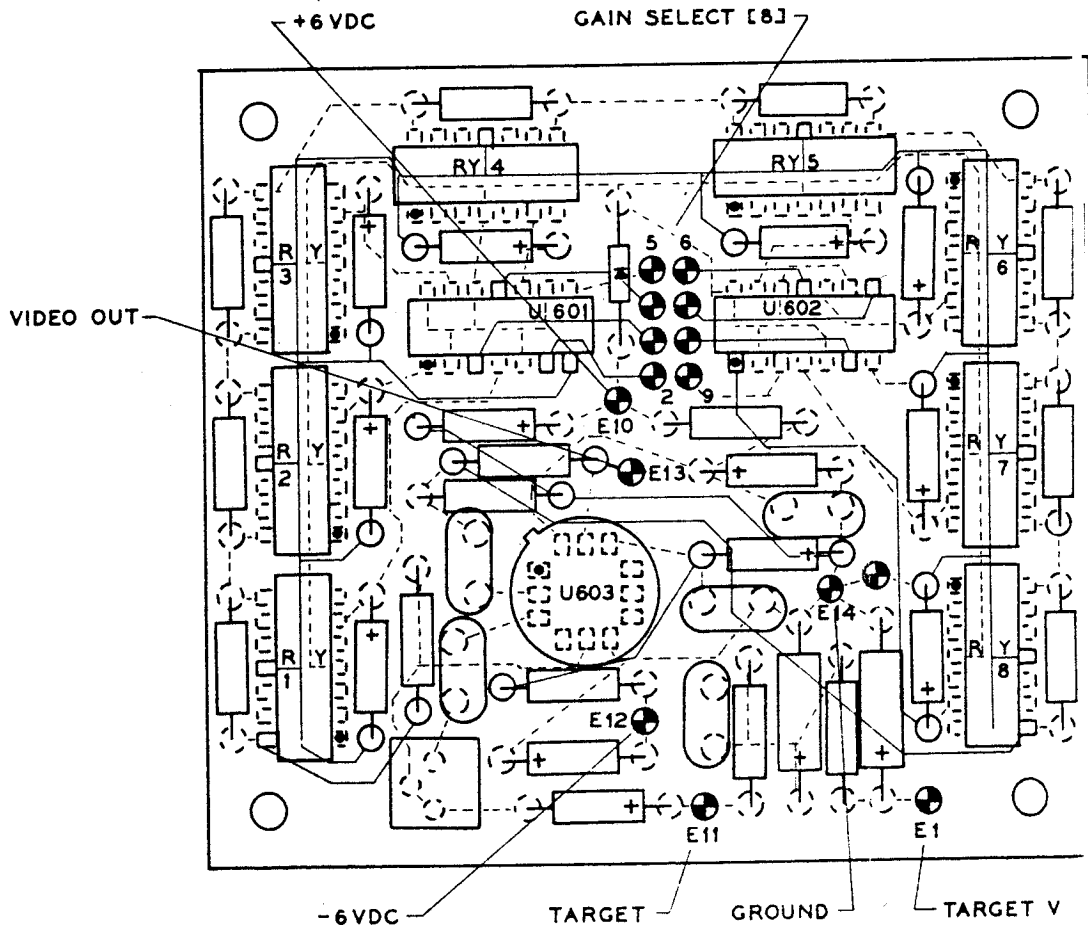
INTERCONNECTION
 DIAGRAM
 DATA CAMERA.

PREP BY: *R. W. S. / 12/72* LRL *OW*
 APP'D BY: SCALE NONE

CVI COLORADO VIDEO, INC.

502 -107 -000

SHEET OF SIZE: D



CIRCUIT BOARD ASS'Y
 DATA CAMERA-HEAD
 PREAMPLIFIER [VAR.GAIN]

CVI COLORADO VIDEO, INC

PREP BY
 BY

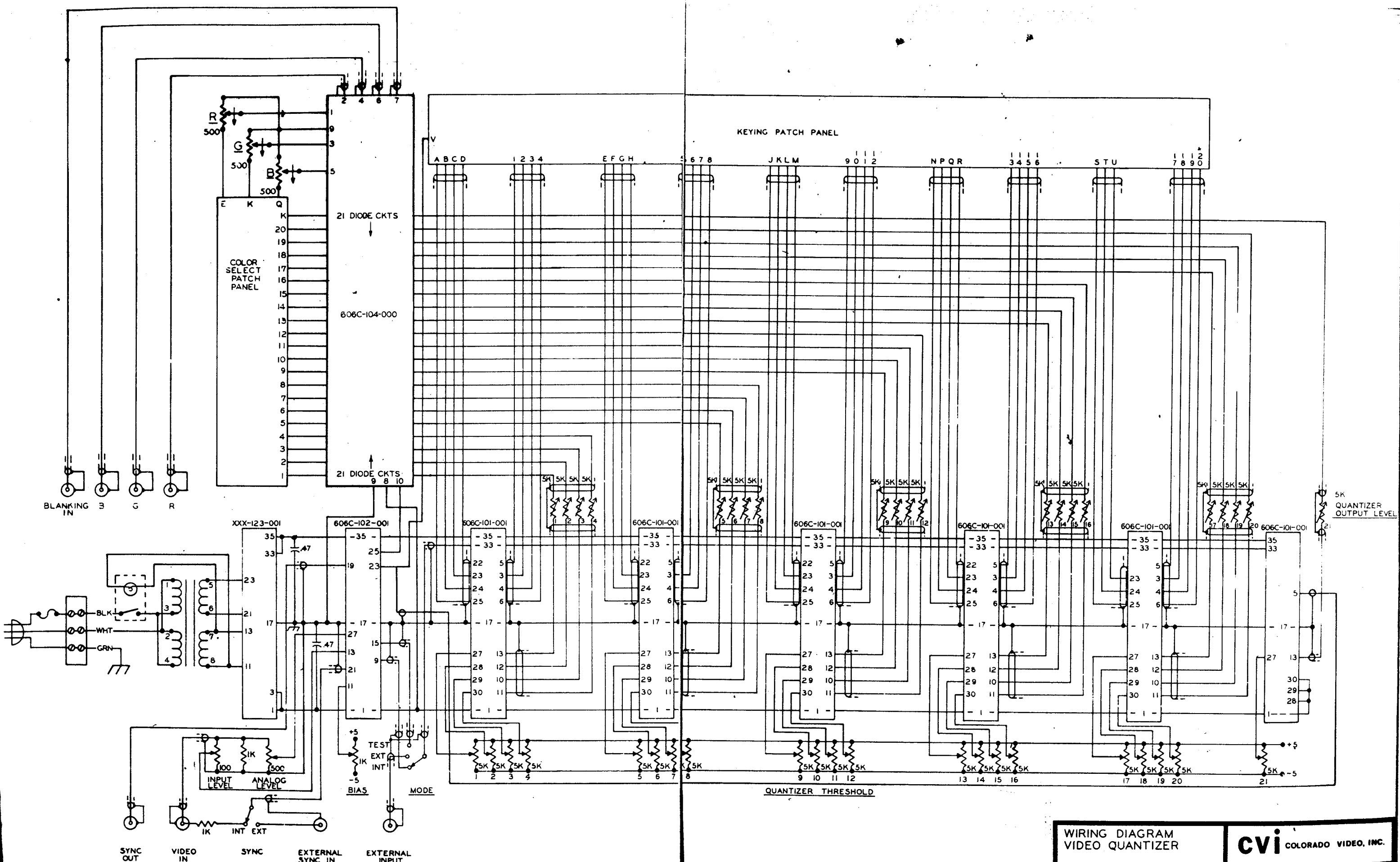
scw
 10/18/74

LRL

SCALE 2:1

502-011-000

SHEET 1 OF 1 SIZE: C

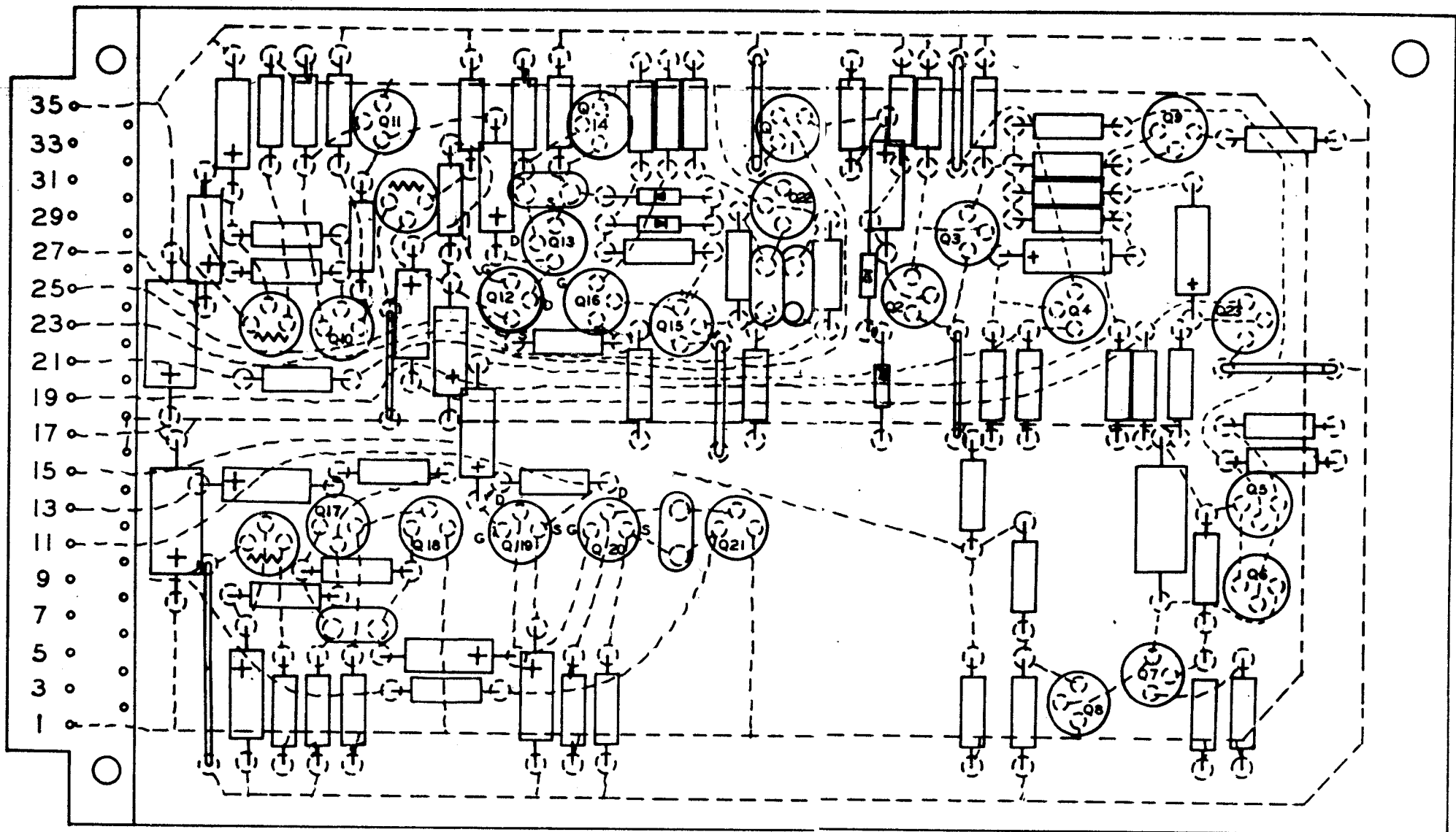


WIRING DIAGRAM		VIDEO QUANTIZER		CVI COLORADO VIDEO, INC.	
PREP BY:	6/6/73	LRL		606C-105-000	
APP'D BY:		SCALE	NONE	SHEET	OF
					SIZE: D

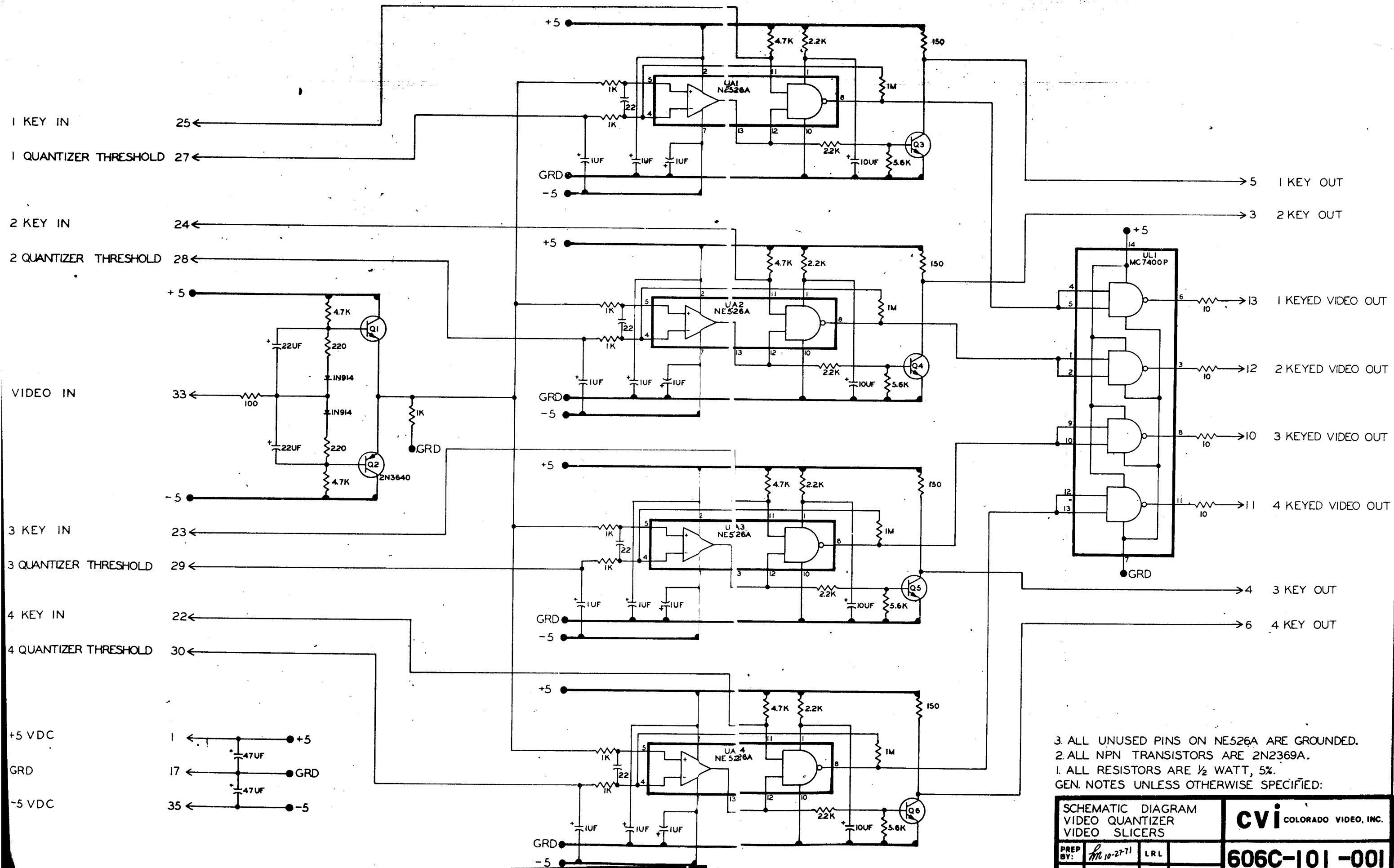
-5 VDC

- ANALOG LEVEL
- ANALOG OUT
- ANALOG KEY
- STRIPPER INPUT
- SYNC OUT
- GROUND
- SAWTOOTH OUT
- INPUT LEVEL
- BIAS
- TO SLICE

+5 VDC

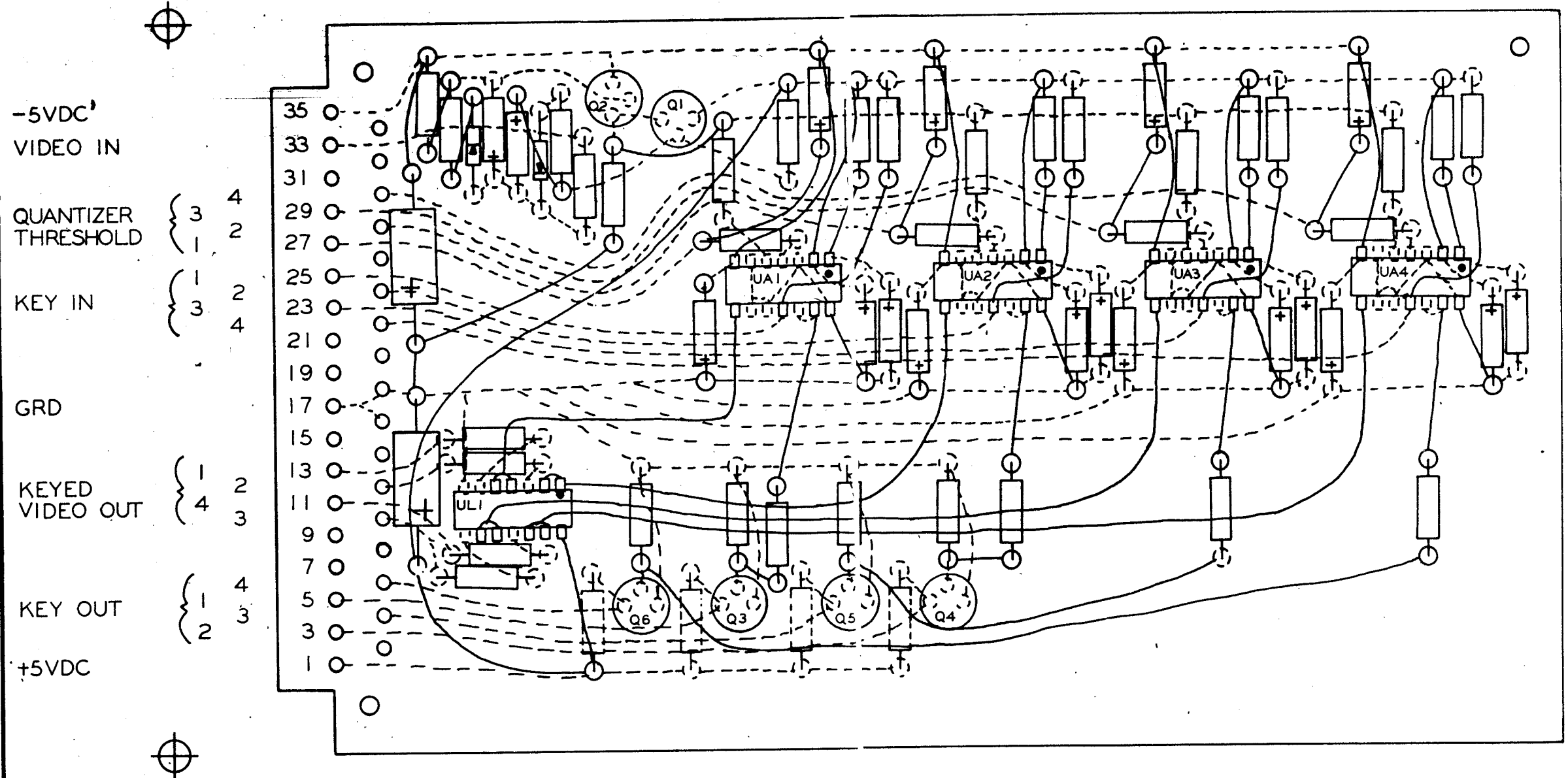


CIRCUIT BOARD ASS'Y VIDEO QUANTIZER INPUT BOARD				cvi COLORADO VIDEO, INC.	
PREP BY: <i>RLC</i>	11-5-71	LRL	13 VDC	606C-002-001	
APP'D BY:		SCALE	2:1		
SHEET				OF	
				SIZE: C	



SCHEMATIC DIAGRAM VIDEO QUANTIZER VIDEO SLICERS		CVI COLORADO VIDEO, INC.	
PREP BY: <i>mc 10-27-71</i>	LRL	606C-101-001	
APP'D BY:	SCALE NONE	SHEET	OF
			SIZE: D

606C-101-001



CIRCUIT BOARD ASSY VIDEO QUANTIZER VIDEO SLICERS				cv i COLORADO VIDEO, INC.	
PREP BY:	<i>fm</i> 10-27-71	LRL	A	606C-001 -001	
APP'D BY:		SCALE	2:1	SHEET	OF
					SIZE: C